



# PARTS CATALOG

Published

2010/6 (Jun.)

---

0CR10-G56000

# Introduction

1. This parts catalog is a first edition of the 3YM30 Diesel engine.

|               | Parts catalog No. | Date of issue | Remarks |
|---------------|-------------------|---------------|---------|
| First edition | OCR10-G56000      | Aug. , 2003   |         |

2. This parts catalog does not covers the reduction reverser and outdrive.  
Please refer to the separate parts catalog, (NO. 000Y00F5940 KM2P-1 or 000Y00F5930 SD20), which covers the reverser.

3. Standard finish color. Yanmar ecole silver metallic

|                        |                      |
|------------------------|----------------------|
| Parts No. 977620-10070 | 1L (Packed in a can) |
| Parts No. 977620-40070 | 4L (Packed in a can) |
| Parts No. TOR-90090003 | Spray (1 piece)      |

4. This parts catalog does not contain the technical data needed for maintenance service.

5. The illustrations used in this parts catalog have been simplified for clarity.

## 6. Specification

| Model   | 3YM30   |           |           |      |
|---|---|-----------|-----------|------|
| Type  | 4-stroke, vertical, water-cooled, diesel engine |           |           |      |
| No. of cylinder - Bore (mm) x Stroke (mm)                 | 3 - 76 x 82                                     |           |           |      |
| Continuous rating $\text{kW}/\text{min}^{-1}$<br>(PS/rpm) | 20.1/3489<br>(27.3/3489)                        |           |           |      |
| Combustion system   | Direct injection                                |           |           |      |
| Starting system   | Electric starting 12V-1.4kW                     |           |           |      |
| Power take-off position                                   | Flywheel side                                   |           |           |      |
| Cooling system  | Fresh water (Filtered sea water) cooling        |           |           |      |
| Lubricating system  | Forced lubrication                              |           |           |      |
| Reduction reverser  | KM2P-1  |           |           | SD20 |
| Reduction ratio (F/R)                                     | 2.21/3.06                                       | 2.62/3.06 | 3.22/3.06 | -    |

7. The contents of this parts catalog are subject to change without notice.

8. Be sure to use only Yanmar genuine part for repairs. If imitation parts are used, it may cause engine defects.

## Directions for the Parts Catalog.

1. The parts stipulated in this Parts Catalog are not necessarily standard equipped parts.
2. Parts may change without prior notice.
3. The following is an example of the Parts Catalog format.

| REF. | LEV. | PARTS NO.  | DESCRIPTION         | Q'TY |     |     |     |     |     | I | R |
|------|------|--|---------------------|------|-----|-----|-----|-----|-----|---|---|
|      |      |  |                     | (A)  | (B) | (C) | (D) | (E) | (F) |   |   |
| 1    | 1    | 729595-51390   | FUEL INJECTION PUMP | 1    | 1   | 1   | 1   | 1   |     |   | 1 |
| 1-1  | 1    | 729595-51391   | FUEL INJECTION PUMP | 1    | 1   | 1   | 1   | 1   |     | N | 1 |
|      |      | (A=E00185) (B=E00200)                                  |                     |      |     |     |     |     |     |   |   |
| 3    | 2    | 26022-060162   | SCREW M 6X 16       | 9    | 9   | 9   | 9   | 9   |     |   |   |
| 3-1  | 2    | 26022-060162   | SCREW M 6X 16       | 4    | 4   | 4   | 4   | 4   |     | K |   |
|      |      | (A=E00156) (B=E00156) (C=E00156) (D=E00156) (E=E00156) |                     |      |     |     |     |     |     |   |   |
| 4    | 2    | 129470-51040   | CAMSHAFT            | 1    | 1   | 1   | 1   | 1   |     |   |   |
| 5    | 2    | 122710-51050   | BEARING, ROLLER     | 2    | 2   | 2   | 2   | 2   |     |   |   |
| 6    | 2    | 129470-51060   | RETAINER            | 1    | 1   | 1   | 1   | 1   |     |   |   |

|   |
|---|
| Remarks   |
| (1) BOOST COMPEMSATOR TYPE. OPTIONAL PART, TO E00155,(4JH-DT, 4JH-DTZ |

### ① Ref. No.

The Ref. No. listed may not be in accordance with the illustration Ref. No.

(Ex.) Illustration No.

List Ref No.

1

1

(Before change)

1-1

(After change)

For interchangeable symbols N, R and K, illustrations for new parts may be abbreviated.

### ② Lev. (Level)

Level indication

The numbers below indicate the level of relativity towards the main part.

1 ----- Main parts (Assembly parts)

2 ----- Sub component included in " 1 ".

3 ----- Sub component included in " 2 ".

Note) Parts that are not for sale are partially illustrated but not listed.

### ③ Interchangeability Mark

When a part change takes place, one of the following interchangeability symbols is indicated beside the part.

| Symbol | Interchangeability  | Contents note  |
|--------|---|--|
| N      | Old $\begin{matrix} \leftarrow \text{Yes} \\ \text{No} \rightarrow \end{matrix}$ New  | New Part is interchangeable for Old Part but Old Part is not interchangeable for New Part. |
| Q      | Old $\begin{matrix} \leftarrow \text{No} \\ \text{Yes} \rightarrow \end{matrix}$ New  | New Part is not interchangeable for Old Part but Old Part is interchangeable for New Part. |
| R      | Old $\begin{matrix} \leftarrow \text{Yes} \\ \text{Yes} \rightarrow \end{matrix}$ New | New/ Old Parts are both interchangeable.   |
| S      | Old $\begin{matrix} \leftarrow \text{No} \\ \text{No} \rightarrow \end{matrix}$ New   | New/ Old Parts are both not interchangeable.   |
| W      |   | Part newly added.  |
| Z      |   | Part discontinued.   |
| F      |   | Not interchangeable by a single part but interchangeable together with related parts.      |
| K      |   | Changes only for used parts quantities.  |

### ④ Effective Machine No.

When a part changes, the effective Machine No. will be indicated in the (A)-(F) column.

| Product Symbol | Product No.               | Product Symbol | Product No.                       |
|----------------|---------------------------|----------------|-----------------------------------|
| C              | Clutch No. Compressor No. | F              | Machine No. (Agricultural Equip.) |
| D              | Drive No.                 | M              | Machine No.                       |
| E              | Engine No.                | Note 1)        | Date                              |

Note 1) A date may follow the symbol. (Ex.) 1996.01

Note 2) " XXX " are for parts that could not be predicted or for engine models that could not be identified.

Note 3) (A=E00185) is the E (Engine Serial Number) for the column (A) model (in this case 4JH-DT) after the parts design change.

### ⑤ Remarks Mark

Figures or alphabets (symbols) are entered in the remarks column.

The comments (remarks) on parts that are indicated at the bottom of the illustration are the same symbols as those stated above.

# CONTENTS

MODEL : 3YM30  
PC NO : 0CR10-G56000

| Fig.No. | GROUP NAME                  |
|---------|-----------------------------|
| 3YM30   |                             |
| 1.      | CYLINDER BLOCK              |
| 2.      | GEAR HOUSING                |
| 3.      | FLYWHEEL HOUSING & L.O.SUMP |
| 4.      | MOUNTING FOOT               |
| 5.      | LABEL                       |
| 6.      | CYLINDER HEAD & BONNET      |
| 7.      | AIR INTAKE SILENCER         |
| 8.      | MIXING ELBOW                |
| 9.      | CAMSHAFT & DRIVING GEAR     |
| 10.     | CRANKSHAFT & PISTON         |
| 11.     | LUB.OIL DIPSTICK            |
| 12.     | LUB.OIL SYSTEM              |
| 13.     | COOLING SEA WATER PUMP      |
| 14.     | COOLING FRESH WATER PUMP    |
| 15.     | COOLING FRESH WATER COOLER  |
| 16.     | COOLING SEA WATER PIPE      |
| 17.     | COOLING FRESH WATER PIPE    |
| 18.     | BILGE PUMP(STD/OPTIONAL)    |
| 19.     | BILGE PUMP(DX/OPTIONAL)     |
| 20.     | FUEL INJECTION PUMP         |
| 21.     | GOVERNOR                    |
| 22.     | FUEL FEED PUMP              |
| 23.     | FUEL INJECTION VALVE        |
| 24.     | FUEL PIPE & FUEL STRAINER   |
| 25.     | FUEL TANK(OPTIONAL)         |
| 26.     | CABLE SUPPORT               |
| 27.     | CLUTCH                      |
| 28.     | CLUTCH REMOTE CONTROL       |
| 29.     | COUPLING(OPTIONAL)          |

| Fig.No. | GROUP NAME                        |
|---------|-----------------------------------|
| 30.     | STARTING MOTOR                    |
| 31.     | GENERATOR                         |
| 32.     | GENERATOR(80A/OPTIONAL)           |
| 33.     | WIRE HARNESS & RELAY              |
| 34.     | INSTRUMENT PANEL(B-TYPE/OPTIONAL) |
| 35.     | TOOL                              |
| 36.     | GASKET SET(OPTIONAL)              |
| 37.     | V-BELT COVER                      |

Fig.1. CYLINDER BLOCK

(A)=3YM30

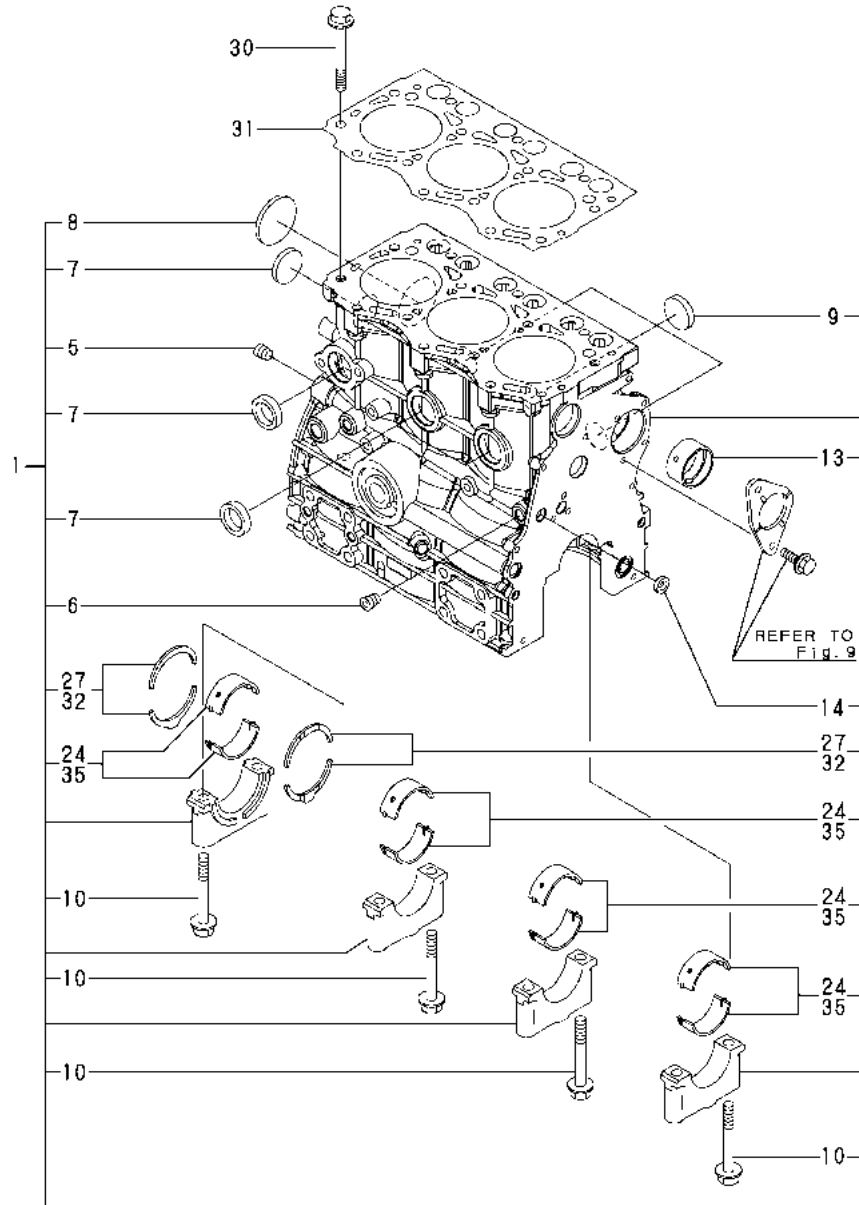
(B)=

(C)=

(D)=

(E)=

(F)=



| REF. | LEV. | PARTS NO.    | DESCRIPTION           | QTY |     |     |     |     |     | I | R |
|------|------|--------------|-----------------------|-----|-----|-----|-----|-----|-----|---|---|
|      |      |              |                       | (A) | (B) | (C) | (D) | (E) | (F) |   |   |
| 1    | 1    | 719717-01560 | BLOCK ASSY, CYLINDER  | 1   |     |     |     |     |     |   |   |
| 5    | 2    | 124160-01910 | PLUG, PT1/4           | 1   |     |     |     |     |     |   |   |
| 6    | 2    | 124060-01050 | PLUG, PT1/8           | 1   |     |     |     |     |     |   |   |
| 7    | 2    | 105311-01090 | PLUG, 30              | 4   |     |     |     |     |     |   |   |
| 8    | 2    | 119623-01250 | PLUG 45               | 1   |     |     |     |     |     |   |   |
| 9    | 2    | 119285-01990 | PLUG 25               | 3   |     |     |     |     |     |   |   |
| 10   | 2    | 119620-02020 | BOLT, METAL CAP       | 8   |     |     |     |     |     |   |   |
| 13   | 2    | 119717-02410 | BUSH, CAMSHAFT        | 1   |     |     |     |     |     |   |   |
| 14   | 2    | 27241-120000 | PLUG, 12              | 1   |     |     |     |     |     |   |   |
| 24   | 2    | 719717-02900 | BEARING ASSY, MAIN    | 4   |     |     |     |     |     |   | 1 |
| 27   | 2    | 119810-02930 | BEARING, THRUST (4PIE | 1   |     |     |     |     |     |   |   |
| 30   | 1    | 119810-01200 | BOLT, CYLINDER HEAD   | 14  |     |     |     |     |     |   |   |
| 31   | 1    | 119717-01330 | GASKET, HEAD          | 1   |     |     |     |     |     |   |   |
| 32   | 1    | 119810-02940 | BEARING, THRUST.25OS  | 2   |     |     |     |     |     |   | 2 |
| 35   | 1    | 719717-02910 | METAL, MAIN US0.25    | 4   |     |     |     |     |     |   | 3 |

Remarks  
 (1)REPAIR PART.  
 (2)OVER SIZED(O.S.=0.25)PART.  
 (3)UNDER SIZED(U.S.=0.25)PART.

Fig.2. GEAR HOUSING

(A)=3YM30

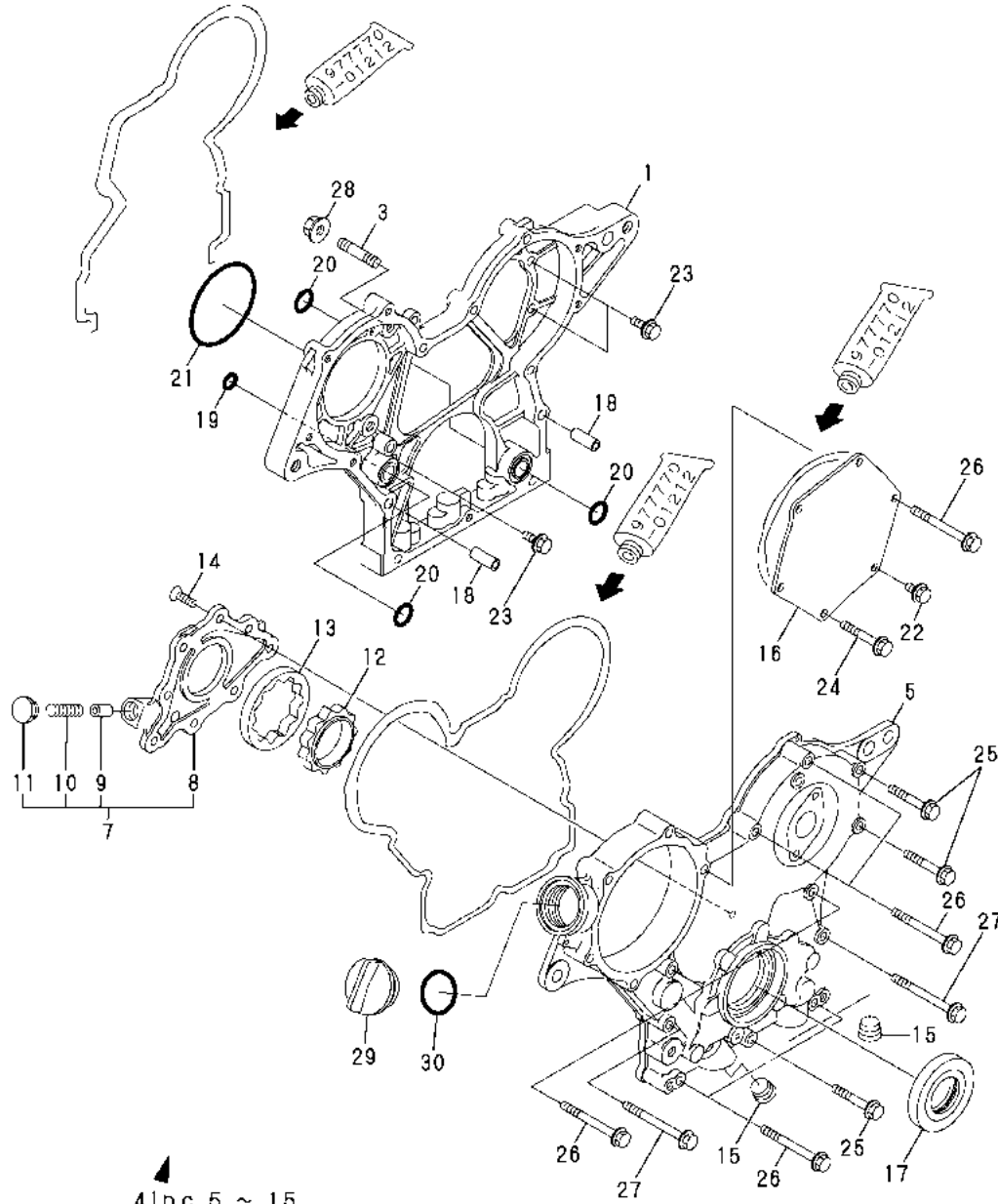
(B)=

(C)=

(D)=

(E)=

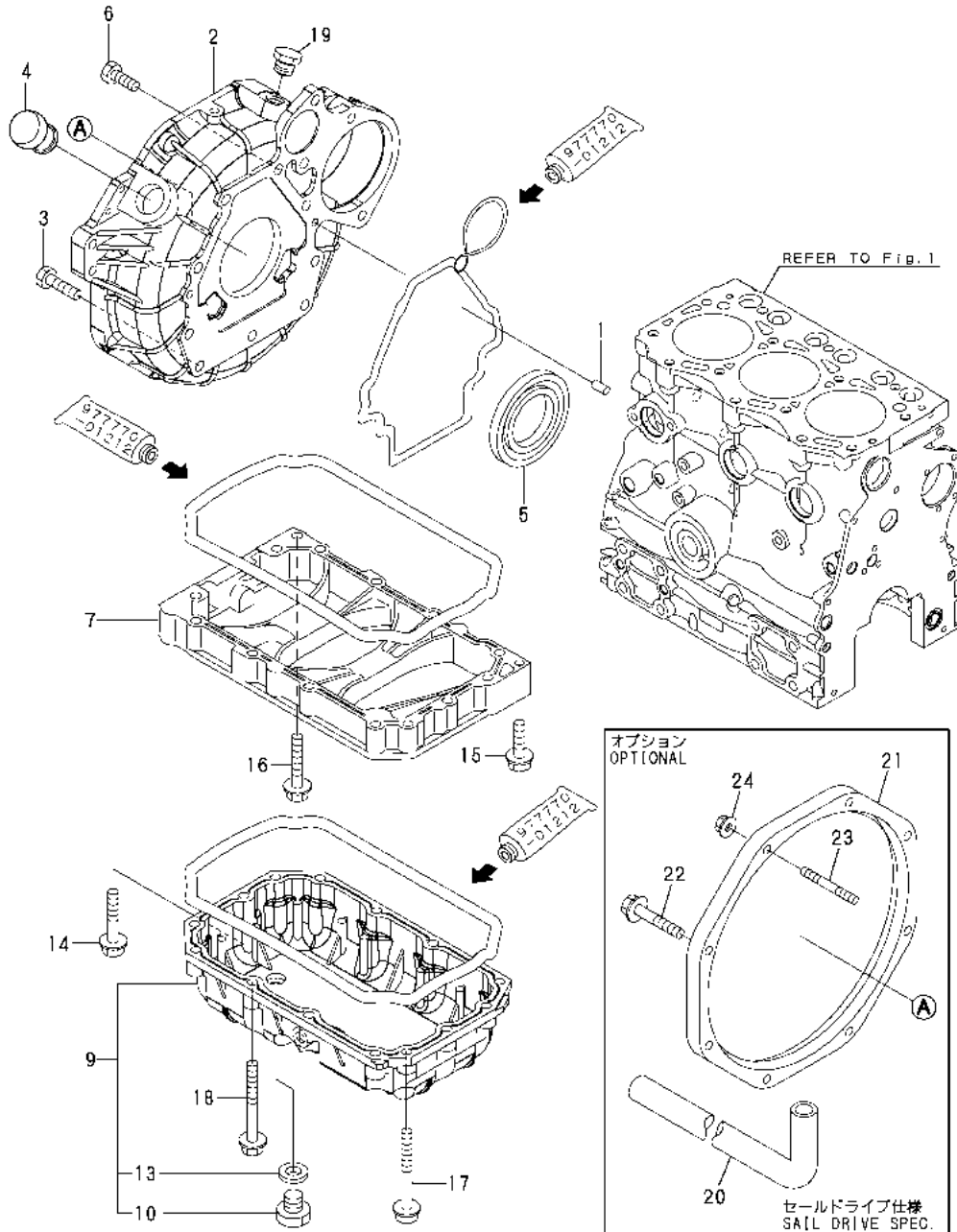
(F)=



| REF. | LEV. | PARTS NO.    | DESCRIPTION           | QTY |     |     |     |     |     | I | R |
|------|------|--------------|-----------------------|-----|-----|-----|-----|-----|-----|---|---|
|      |      |              |                       | (A) | (B) | (C) | (D) | (E) | (F) |   |   |
| 1    | 1    | 119717-01501 | HOUSING, GEAR         | 1   |     |     |     |     |     |   |   |
| 3    | 1    | 119717-01570 | STUD                  | 3   |     |     |     |     |     |   |   |
| 4    | 1    | 119717-01590 | COVER ASSY, GEAR CASE | 1   |     |     |     |     |     |   |   |
| 5    | 2    | 119717-01521 | COVER, GEAR CASE      | 1   |     |     |     |     |     |   |   |
| 7    | 2    | 119717-32100 | COVER ASSY, PUMP      | 1   |     |     |     |     |     |   |   |
| 8    | 3    | 119717-32080 | COVER, PUMP           | 1   |     |     |     |     |     |   |   |
| 9    | 3    | 129900-32130 | VALVE, RELIEF         | 1   |     |     |     |     |     |   |   |
| 10   | 3    | 129001-32320 | SPRING                | 1   |     |     |     |     |     |   |   |
| 11   | 3    | 129001-32330 | PLUG                  | 1   |     |     |     |     |     |   |   |
| 12   | 2    | 119717-32110 | ROTOR, INNER          | 1   |     |     |     |     |     |   |   |
| 13   | 2    | 119717-32120 | ROTOR, OUTER          | 1   |     |     |     |     |     |   |   |
| 14   | 2    | 119802-32130 | SCREW, M6X16          | 8   |     |     |     |     |     |   |   |
| 15   | 2    | 23876-030000 | PLUG PT3/8, SCREW     | 2   |     |     |     |     |     |   |   |
| 16   | 1    | 119717-01750 | COVER, PUMP           | 1   |     |     |     |     |     |   |   |
| 17   | 1    | 119620-01800 | SEAL, OIL             | 1   |     |     |     |     |     |   |   |
| 18   | 1    | 119660-01911 | PIPE, KNOCK           | 4   |     |     |     |     |     |   |   |
| 19   | 1    | 119624-32040 | O-RING P 12.0         | 1   |     |     |     |     |     |   |   |
| 20   | 1    | 119717-32050 | O-RING, P17.0         | 3   |     |     |     |     |     |   |   |
| 21   | 1    | 121850-51960 | O-RING, F.I.PUMP      | 1   |     |     |     |     |     |   |   |
| 22   | 1    | 26106-060122 | BOLT M 6X 12 PLATED   | 1   |     |     |     |     |     |   |   |
| 23   | 1    | 26106-060162 | BOLT M 6X 16 PLATED   | 4   |     |     |     |     |     |   |   |
| 24   | 1    | 26106-060402 | BOLT M 6X 40 PLATED   | 4   |     |     |     |     |     |   |   |
| 25   | 1    | 26106-060402 | BOLT M 6X 40 PLATED   | 3   |     |     |     |     |     |   |   |
| 26   | 1    | 26106-060602 | BOLT M 6X 60 PLATED   | 7   |     |     |     |     |     |   |   |
| 27   | 1    | 26106-060652 | BOLT M 6X 65 PLATED   | 2   |     |     |     |     |     |   |   |
| 28   | 1    | 26306-080002 | NUT, M8               | 3   |     |     |     |     |     |   |   |
| 29   | 1    | 124160-01751 | COVER, FILLER         | 1   |     |     |     |     |     |   |   |
| 30   | 1    | 24311-000320 | O-RING 1A P-32.0      | 1   |     |     |     |     |     |   |   |

Fig.3. FLYWHEEL HOUSING & L.O.SUMP

P/C NEWS No:Y00R5600-1  
PUBLISHED:2003/9



(A)=3YM30

(B)=

(C)=

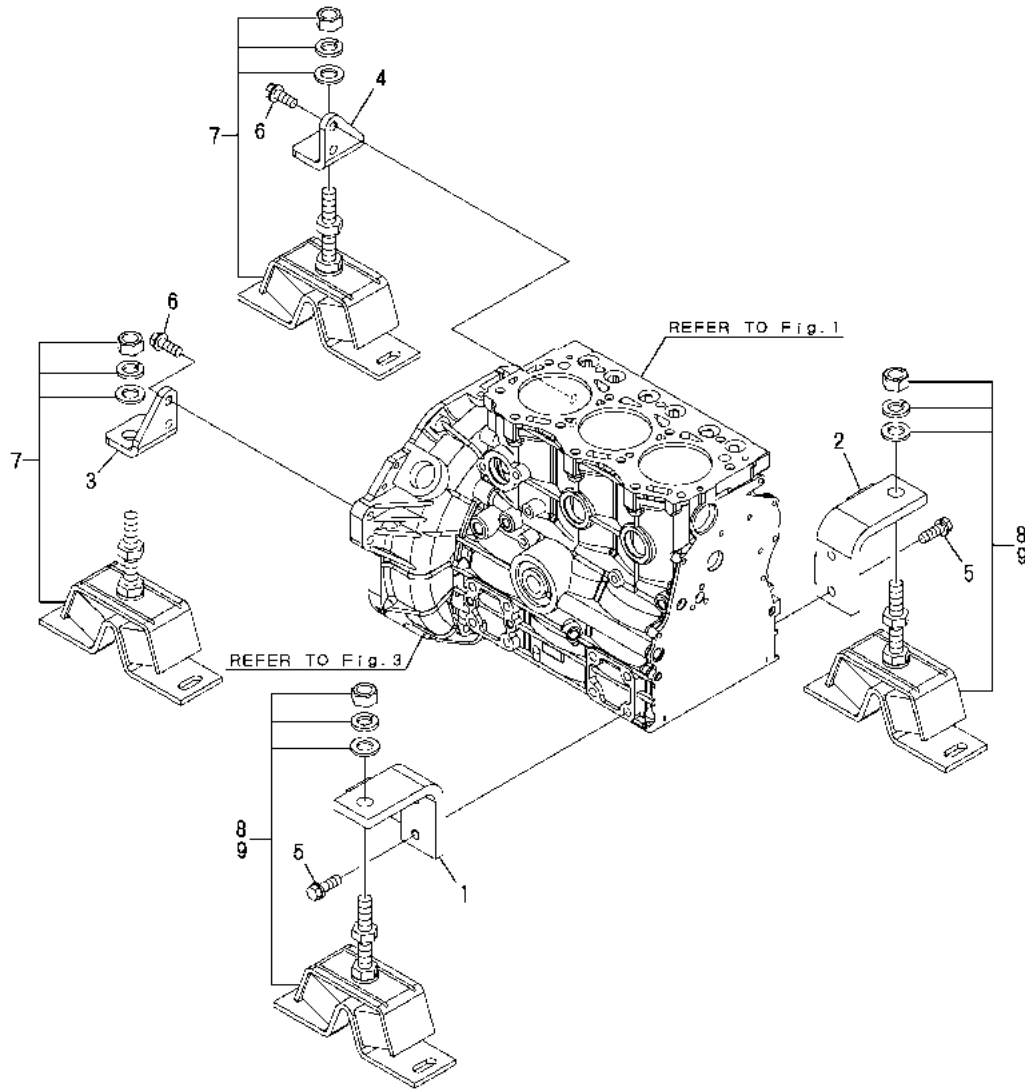
(D)=

(E)=

(F)=

| REF. | LEV. | PARTS NO.      | DESCRIPTION         | QTY |     |     |     |     |     | I | R |
|------|------|----------------|---------------------|-----|-----|-----|-----|-----|-----|---|---|
|      |      |                |                     | (A) | (B) | (C) | (D) | (E) | (F) |   |   |
| 1    | 1    | 129100-01580   | PIN, PARALLEL       | 2   |     |     |     |     |     |   |   |
| 2    | 1    | 128990-01600   | HOUSING, FLYWHEEL   | 1   |     |     |     |     |     |   |   |
| 3    | 1    | 121120-01620   | BOLT M 10X 28       | 3   |     |     |     |     |     |   |   |
| 4    | 1    | 119620-01750   | CAP, FLYWHEEL COVER | 1   |     |     |     |     |     |   |   |
| 5    | 1    | 124085-02220   | SEAL, OIL           | 1   |     |     |     |     |     |   |   |
| 6    | 1    | 26206-100252   | BOLT M10X25         | 8   |     |     |     |     |     |   |   |
| 7    | 1    | 119717-01720   | SPACER, OIL SUMP    | 1   |     |     |     |     |     |   |   |
| 9    | 1    | 128990-01750   | SUMP ASSY, LUB.OIL  | 1   |     |     |     |     |     |   |   |
| 10   | 2    | 23887-160002   | PLUG 16,HEX.        | 1   |     |     |     |     |     |   |   |
| I    | 10-1 | 2 121450-42450 | PLUG M16            | 1   |     |     |     |     |     |   | N |
|      |      | (A=FROM 1ST)   |                     |     |     |     |     |     |     |   |   |
| 13   | 2    | 23414-160000   | GASKET 16, ROUND    | 1   |     |     |     |     |     |   | Z |
| I    | 13-1 | 2 124465-44950 | GASKET, 16          | 1   |     |     |     |     |     |   | N |
|      |      | (A=FROM 1ST)   |                     |     |     |     |     |     |     |   |   |
| I    | 13-2 | 2 124465-44950 | GASKET, 16          | 1   |     |     |     |     |     |   | Z |
|      |      | (A=EXXX)       |                     |     |     |     |     |     |     |   |   |
| I    | 13-3 | 2 22190-160002 | WASHER, 16          | 1   |     |     |     |     |     |   | N |
|      |      | (A=EXXX)       |                     |     |     |     |     |     |     |   |   |
| 14   | 1    | 26106-080452   | BOLT M 8X 45 PLATED | 1   |     |     |     |     |     |   |   |
| 15   | 1    | 26106-080302   | BOLT M 8X 30 PLATED | 1   |     |     |     |     |     |   |   |
| 16   | 1    | 26106-080452   | BOLT M 8X 45 PLATED | 1   |     |     |     |     |     |   |   |
| 17   | 1    | 26106-080702   | BOLT M 8X 70 PLATED | 3   |     |     |     |     |     |   |   |
| 18   | 1    | 26106-080702   | BOLT M 8X 70 PLATED | 10  |     |     |     |     |     |   |   |
| 19   | 1    | 23887-180002   | PLUG 18             | 1   |     |     |     |     |     |   |   |
| 20   | 1    | 128990-49030   | PIPE, WATER C       | 1   |     |     |     |     |     |   |   |
| 21   | 1    | 128990-81150   | SPACER, CLUTCH      | 1   |     |     |     |     |     |   |   |
| 22   | 1    | 26106-080452   | BOLT M 8X 45 PLATED | 5   |     |     |     |     |     |   |   |
| 23   | 1    | 26216-080452   | STUD M 8X 45 PLATED | 3   |     |     |     |     |     |   |   |
| 24   | 1    | 26366-080002   | NUT M 8             | 3   |     |     |     |     |     |   |   |

Fig.4. MOUNTING FOOT



OCR10-G56000 4. MOUNTING FOOT

(A)=3YM30  
(B)=  
(C)=

(D)=  
(E)=  
(F)=

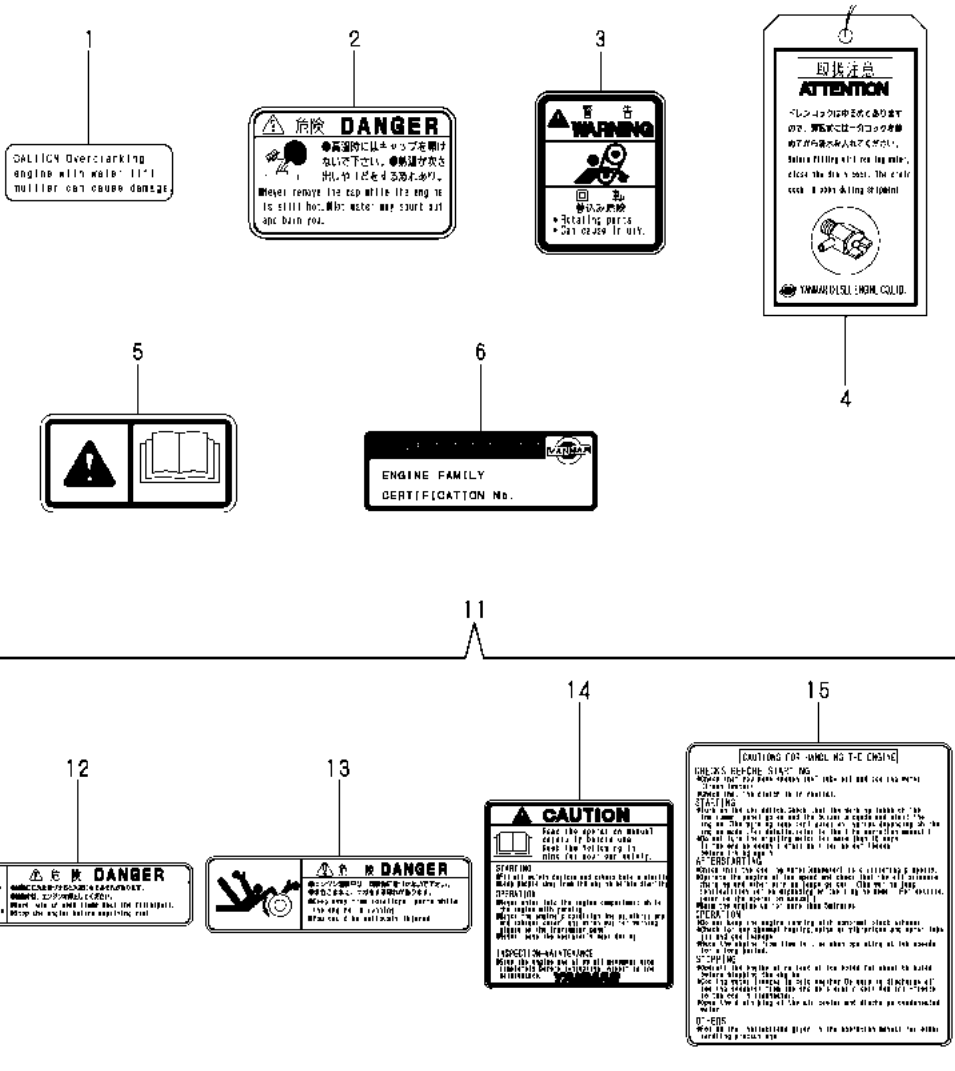
| REF. | LEV. | PARTS NO.    | DESCRIPTION         | Q'TY |     |     |     |     |     | I | R |
|------|------|--------------|---------------------|------|-----|-----|-----|-----|-----|---|---|
|      |      |              |                     | (A)  | (B) | (C) | (D) | (E) | (F) |   |   |
| 1    | 1    | 128990-08100 | BRACKET, FRONT      | 1    |     |     |     |     |     |   |   |
| 2    | 1    | 128990-08110 | BRACKET, FRONT      | 1    |     |     |     |     |     |   |   |
| 3    | 1    | 128377-08120 | BRACKET, REAR A     | 1    |     |     |     |     |     |   |   |
| 4    | 1    | 128377-08130 | BRACKET, REAR B     | 1    |     |     |     |     |     |   |   |
| 5    | 1    | 26013-100302 | BOLT M10X 30        | 4    |     |     |     |     |     |   |   |
| 6    | 1    | 26106-100252 | BOLT M10X 25 PLATED | 4    |     |     |     |     |     |   |   |
| 7    | 1    | 128377-08340 | MOUNTING, FLEXIBLE  | 2    |     |     |     |     |     |   |   |
| 8    | 1    | 128377-08350 | MOUNTING, FLEXIBLE  | 2    |     |     |     |     |     |   |   |
| 9    | 1    | 128377-08350 | MOUNTING, FLEXIBLE  | 2    |     |     |     |     |     |   | 1 |

Remarks

(1)OPTIONAL:SAIL DRIVE SPEC.



Fig.5. LABEL



(A)=3YM30  
(B)=  
(C)=

(D)=  
(E)=  
(F)=

| REF. | LEV. | PARTS NO.    | DESCRIPTION         | QTY |     |     |     |     |     | I | R |
|------|------|--------------|---------------------|-----|-----|-----|-----|-----|-----|---|---|
|      |      |              |                     | (A) | (B) | (C) | (D) | (E) | (F) |   |   |
| 1    | 1    | 128377-07150 | LABEL, CAUTION      | 1   |     |     |     |     |     |   |   |
| 2    | 1    | 128377-07260 | LABEL, PRESSURE CAP | 1   |     |     |     |     |     |   |   |
| 3    | 1    | 128377-07350 | LABEL, CAUTION      | 1   |     |     |     |     |     |   |   |
| 4    | 1    | 123682-07852 | LABEL, CW. TANK     | 1   |     |     |     |     |     |   |   |
| 5    | 1    | 196630-12980 | LABEL, CAUTION      | 1   |     |     |     |     |     |   |   |
| 6    | 1    | 128990-07560 | LABEL, BSO2         | 1   |     |     |     |     |     |   |   |
| 11   | 1    | 128296-07190 | LABEL, LOOSE PARTS  | 1   |     |     |     |     |     |   |   |
| 12   | 2    | 128296-07400 | LABEL, DANGER       | 2   |     |     |     |     |     |   |   |
| 13   | 2    | 128296-07420 | LABEL, DANGER       | 1   |     |     |     |     |     |   |   |
| 14   | 2    | 128296-07450 | LABEL, DANGER       | 1   |     |     |     |     |     |   |   |
| 15   | 2    | 128296-07460 | LABEL, DANGER       | 1   |     |     |     |     |     |   |   |

Fig.6. CYLINDER HEAD & BONNET

P/C NEWS No.:Y00R5600-1  
PUBLISHED:2003/9

(A)=3YM30

(B)=

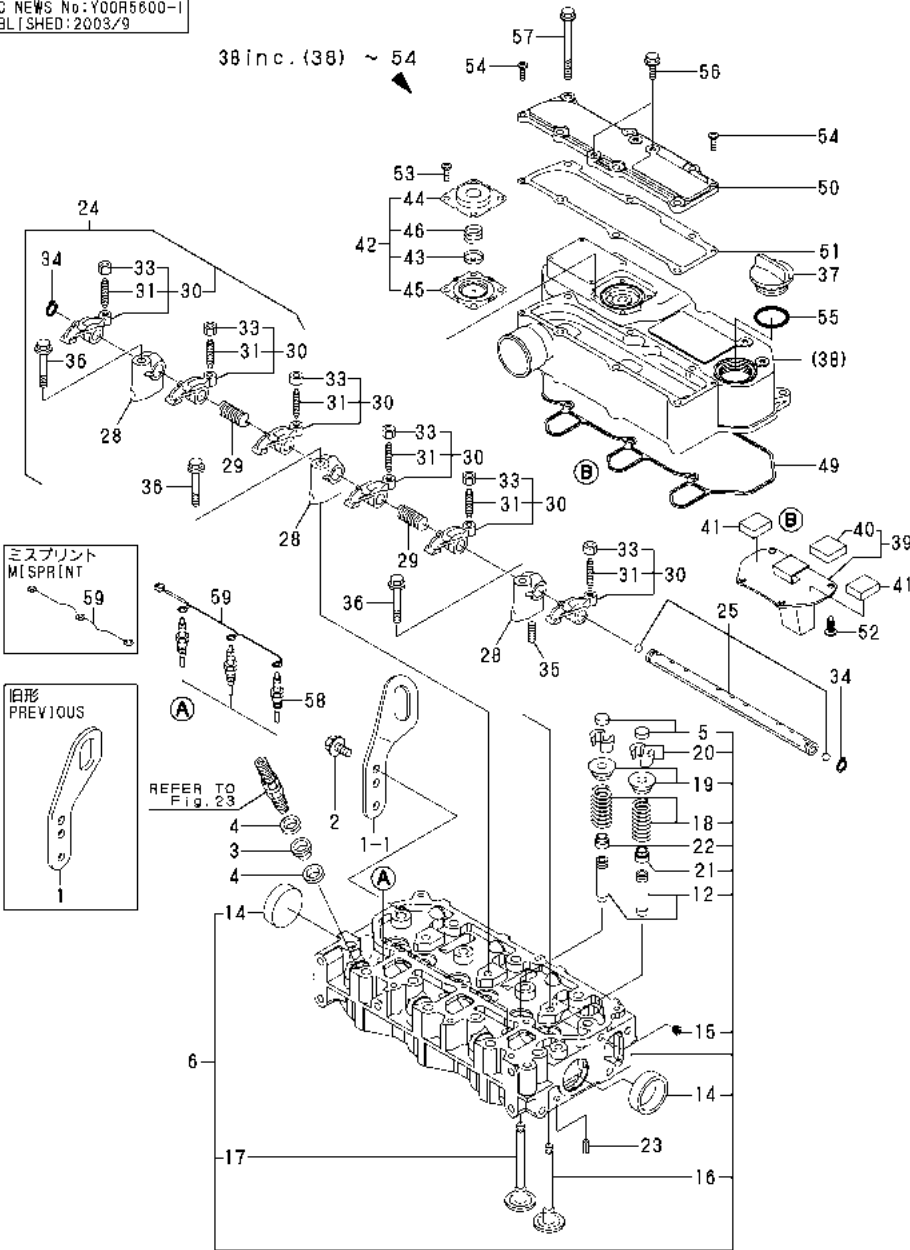
(C)=

(D)=

(E)=

(F)=

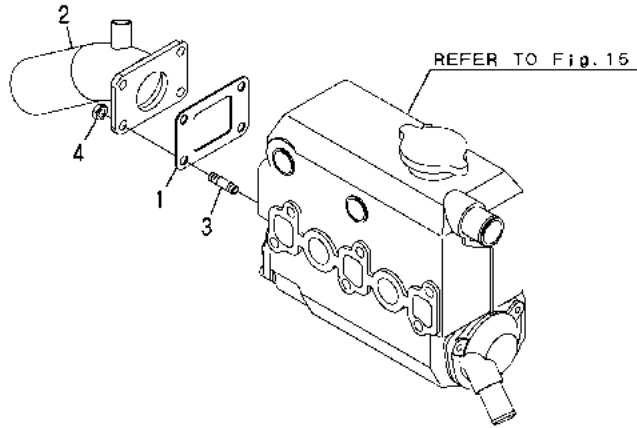
| REF.         | LEV. | PARTS NO.    | DESCRIPTION          | Q'TY |     |     |     |     |     | I | R |
|--------------|------|--------------|----------------------|------|-----|-----|-----|-----|-----|---|---|
|              |      |              |                      | (A)  | (B) | (C) | (D) | (E) | (F) |   |   |
| 1            | 1    | 129486-07910 | LIFTER, ENGINE       | 1    |     |     |     |     |     |   |   |
| I            | 1-1  | 128990-07910 | LIFTER, ENGINE       | 1    |     |     |     |     |     |   | N |
| (A=*2003.09) |      |              |                      |      |     |     |     |     |     |   |   |
| 2            | 1    | 26106-080142 | BOLT 8X 14 PLATED    | 2    |     |     |     |     |     |   |   |
| 3            | 1    | 129901-11450 | PROTECTOR, NOZZLE    | 3    |     |     |     |     |     |   |   |
| 4            | 1    | 119600-11460 | GASKET, NOZZLE       | 6    |     |     |     |     |     |   |   |
| 5            | 1    | 105010-11490 | CAP, VALVE           | 6    |     |     |     |     |     |   |   |
| 6            | 1    | 119717-11740 | HEAD ASSY, CYLINDER  | 1    |     |     |     |     |     |   |   |
| 12           | 2    | 119717-11800 | GUIDE, VALVE         | 6    |     |     |     |     |     |   | 1 |
| 14           | 2    | 119285-11990 | PLUG 35              | 2    |     |     |     |     |     |   |   |
| 15           | 2    | 23876-005000 | PLUG, PT1/16         | 1    |     |     |     |     |     |   |   |
| 16           | 2    | 119717-11100 | VALVE, INTAKE        | 3    |     |     |     |     |     |   |   |
| 17           | 2    | 119717-11110 | VALVE, EXHAUST       | 3    |     |     |     |     |     |   |   |
| 18           | 2    | 119717-11131 | SPRING, VALVE        | 6    |     |     |     |     |     |   |   |
| 19           | 2    | 129508-11180 | RETAINER, SPRING     | 6    |     |     |     |     |     |   |   |
| 20           | 2    | 119717-11190 | COTTER               | 12   |     |     |     |     |     |   |   |
| 21           | 2    | 119717-11340 | SEAL, VALVE STEM     | 3    |     |     |     |     |     |   |   |
| 22           | 2    | 119717-11350 | SEAL, VALVE STEM     | 3    |     |     |     |     |     |   |   |
| 23           | 1    | 22351-060012 | SPRING PIN 6X12      | 2    |     |     |     |     |     |   |   |
| 24           | 1    | 119717-11200 | SUPPORT ASSY, ARM    | 1    |     |     |     |     |     |   |   |
| 25           | 2    | 119717-11240 | SHAFT ASSY, ROCKER   | 1    |     |     |     |     |     |   |   |
| 28           | 2    | 119717-11260 | SUPPORT, ROCKER ARM  | 3    |     |     |     |     |     |   |   |
| 29           | 2    | 119620-11280 | SPRING, SHAFT        | 2    |     |     |     |     |     |   |   |
| 30           | 2    | 119717-11650 | ARM ASSY, ROCKER     | 6    |     |     |     |     |     |   |   |
| 31           | 3    | 129150-11230 | SCREW, VALVE ADJUST  | 6    |     |     |     |     |     |   |   |
| 33           | 3    | 129150-11750 | NUT, M8              | 6    |     |     |     |     |     |   |   |
| 34           | 2    | 22242-000120 | CIRCLIP 12           | 2    |     |     |     |     |     |   |   |
| 35           | 2    | 26979-050162 | SCREW M 5X16         | 1    |     |     |     |     |     |   |   |
| 36           | 1    | 26106-080402 | BOLT M 8X 40 PLATED  | 3    |     |     |     |     |     |   |   |
| 37           | 1    | 124160-01751 | COVER, FILLER        | 1    |     |     |     |     |     |   |   |
| 38           | 1    | 119717-11381 | BONNET ASSY, HEAD    | 1    |     |     |     |     |     |   |   |
| 39           | 2    | 119717-03031 | PLATE, BAFFLE        | 1    |     |     |     |     |     |   |   |
| 40           | 3    | 119717-03070 | BAFFLE, BREATHER     | 1    |     |     |     |     |     |   |   |
| 41           | 2    | 119717-03070 | BAFFLE, BREATHER     | 2    |     |     |     |     |     |   |   |
| 42           | 2    | 119802-03100 | DIAPHRAGM ASSY       | 1    |     |     |     |     |     |   |   |
| 43           | 3    | 119802-03110 | PLATE, CENTER        | 1    |     |     |     |     |     |   |   |
| 44           | 3    | 119802-03121 | COVER, DIAPHRAGM     | 1    |     |     |     |     |     |   |   |
| 45           | 3    | 119802-03131 | DIAPHRAGM            | 1    |     |     |     |     |     |   |   |
| 46           | 3    | 119802-03141 | SPRING, DIAPHRAGM    | 1    |     |     |     |     |     |   |   |
| 49           | 2    | 119718-11310 | GASKET, BONNET       | 1    |     |     |     |     |     |   |   |
| 50           | 2    | 119717-11320 | COVER, BONNET        | 1    |     |     |     |     |     |   |   |
| 51           | 2    | 119717-11331 | GASKET, BONNET COVER | 1    |     |     |     |     |     |   |   |
| 52           | 2    | 22857-500100 | SCREW, M5X10         | 4    |     |     |     |     |     |   |   |
| 53           | 2    | 22857-500100 | SCREW, M5X10         | 4    |     |     |     |     |     |   |   |
| 54           | 2    | 22857-500160 | SCREW 5X16           | 2    |     |     |     |     |     |   |   |
| 55           | 1    | 24311-000320 | O-RING 1A P-32.0     | 1    |     |     |     |     |     |   |   |
| 56           | 1    | 26106-060202 | BOLT M 6X 20 PLATED  | 3    |     |     |     |     |     |   |   |
| 57           | 1    | 26106-060752 | BOLT M 6X 75 PLATED  | 6    |     |     |     |     |     |   |   |
| 58           | 1    | 119717-77800 | PLUG, GLOW           | 3    |     |     |     |     |     |   |   |
| 59           | 1    | 128990-77820 | CONNECTOR, GLOW PLUG | 1    |     |     |     |     |     |   |   |



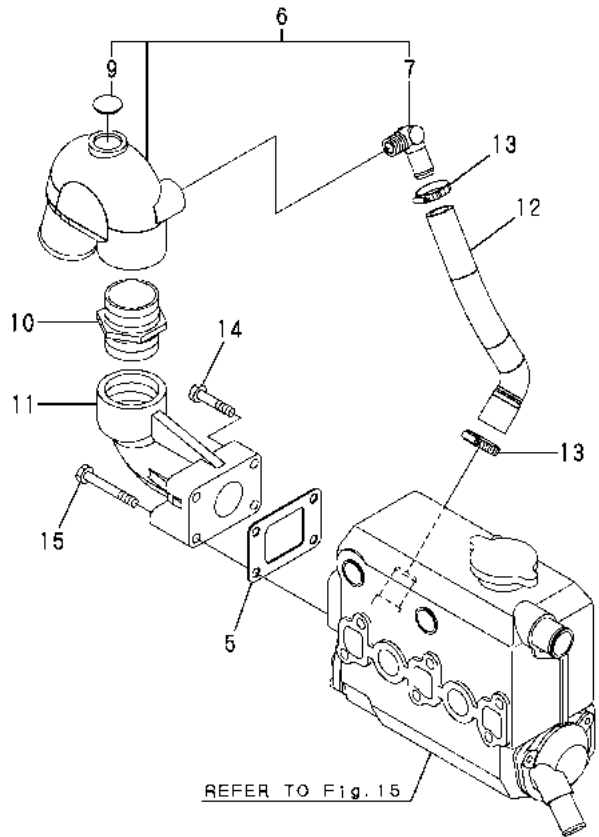
Remarks  
(1)REPAIR PART.



Fig.8. MIXING ELBOW



オプション  
OPTIONAL



OCR10-G56000 8. MIXING ELBOW

(A)=3YM30

(B)=

(C)=

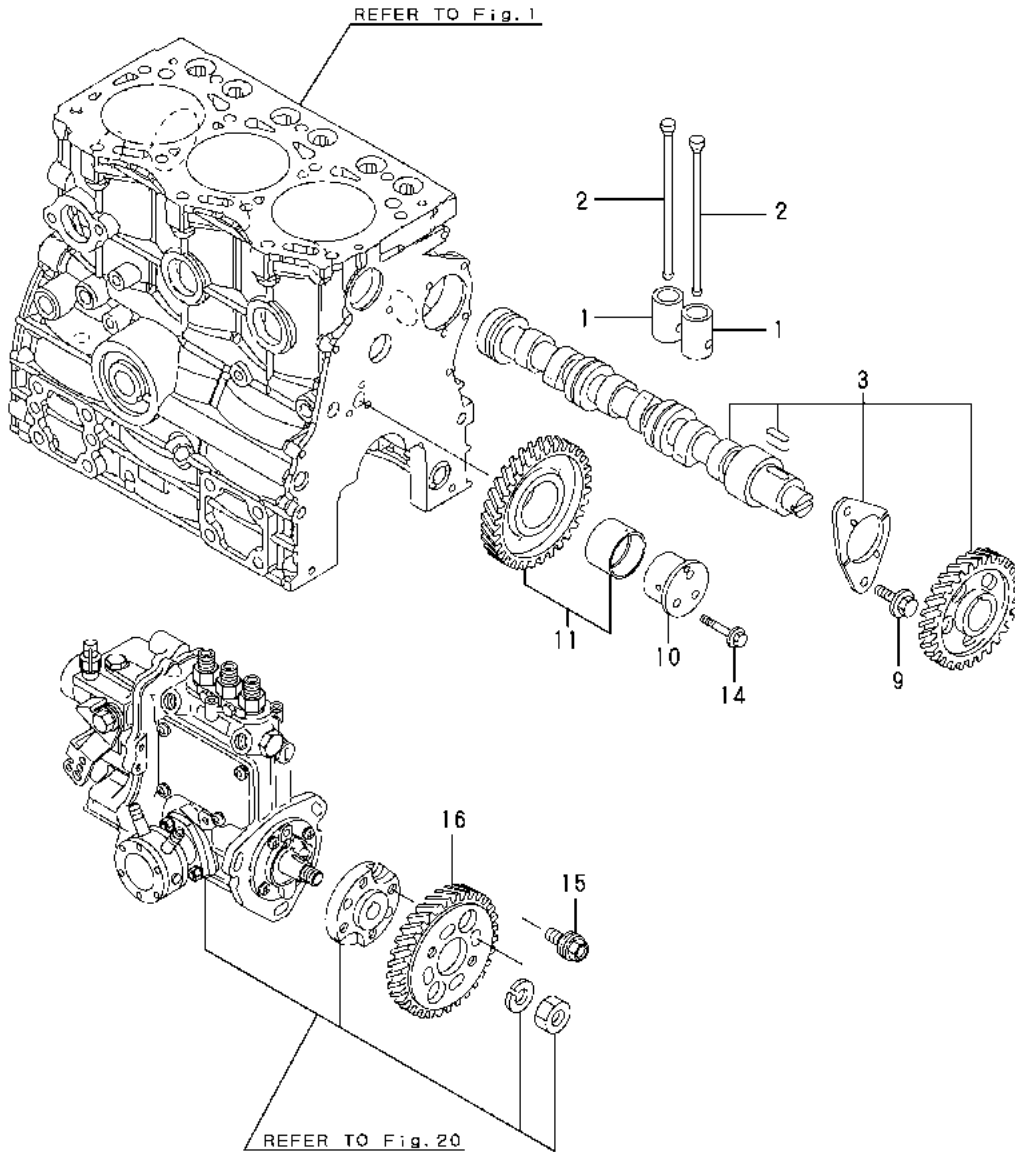
(D)=

(E)=

(F)=

| REF. | LEV. | PARTS NO.    | DESCRIPTION        | QTY |     |     |     |     |     | I | R |
|------|------|--------------|--------------------|-----|-----|-----|-----|-----|-----|---|---|
|      |      |              |                    | (A) | (B) | (C) | (D) | (E) | (F) |   |   |
| 1    | 1    | 128370-13201 | GASKET, (NON-ASB.) | 1   |     |     |     |     |     |   |   |
| 2    | 1    | 128397-13530 | ELBOW,MIXING       | 1   |     |     |     |     |     |   |   |
| 3    | 1    | 128170-13600 | STUD               | 4   |     |     |     |     |     |   |   |
| 4    | 1    | 26703-080002 | NUT M 8            | 4   |     |     |     |     |     |   |   |
| 5    | 1    | 128370-13201 | GASKET, (NON-ASB.) | 1   |     |     |     |     |     |   |   |
| 6    | 1    | 124070-13520 | ELBOW, MIXING      | 1   |     |     |     |     |     |   |   |
| 7    | 2    | 124070-13300 | ELBOW (PT3/8)      | 1   |     |     |     |     |     |   |   |
| 9    | 2    | 27233-250000 | PLUG, 25           | 1   |     |     |     |     |     |   |   |
| 10   | 1    | 104214-13580 | JOINT              | 1   |     |     |     |     |     |   |   |
| 11   | 1    | 128370-13610 | ELBOW, EXHAUST     | 1   |     |     |     |     |     |   |   |
| 12   | 1    | 128990-49040 | PIPE, WATER B      | 1   |     |     |     |     |     |   |   |
| 13   | 1    | 23000-025000 | CLAMP 25           | 2   |     |     |     |     |     |   |   |
| 14   | 1    | 26203-080402 | BOLT M 8X 40       | 2   |     |     |     |     |     |   |   |
| 15   | 1    | 26203-080602 | BOLT M 8X 60       | 2   |     |     |     |     |     |   |   |

Fig.9. CAMSHAFT & DRIVING GEAR



OCR10-G56000 9. CAMSHAFT & DRIVING GEAR

(A)=3YM30

(B)=

(C)=

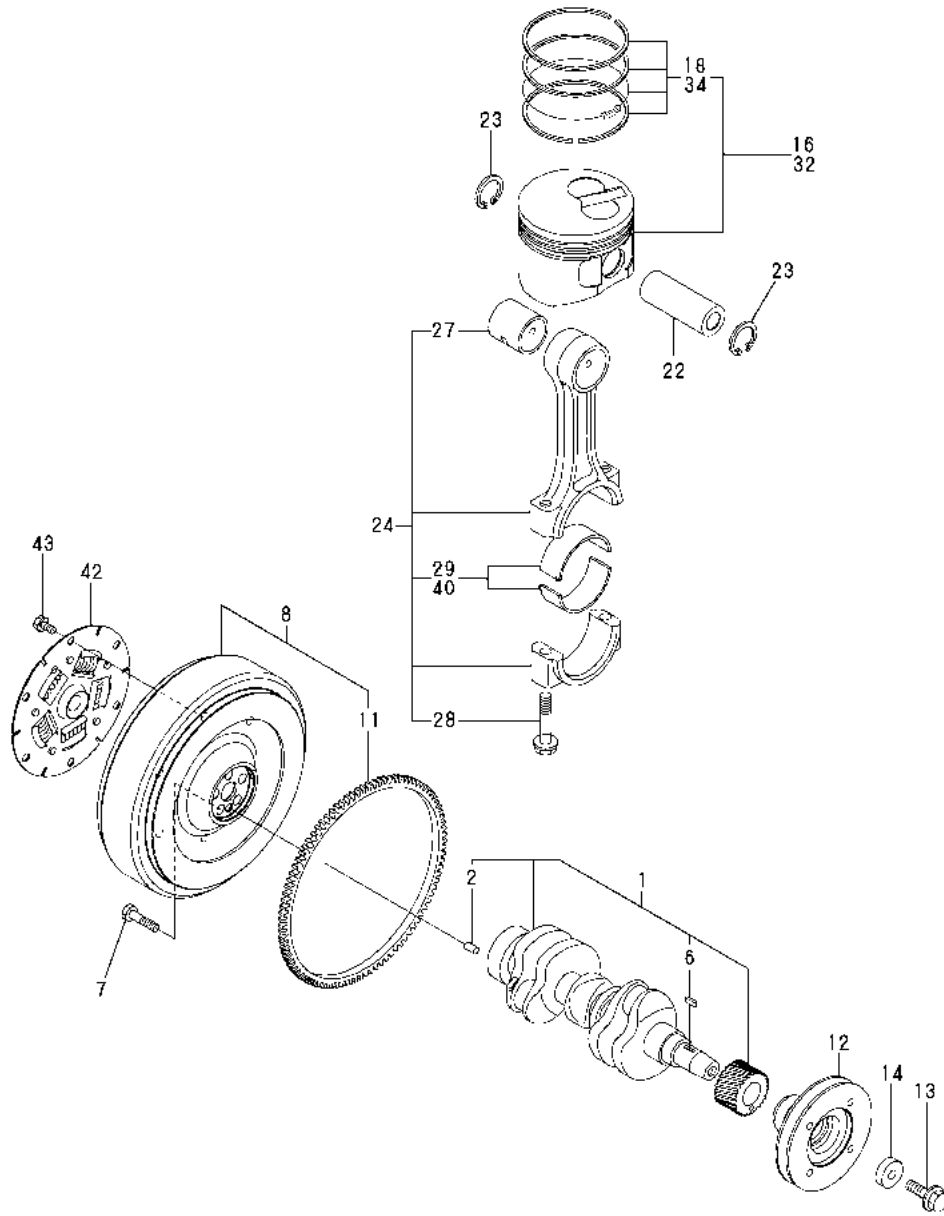
(D)=

(E)=

(F)=

| REF. | LEV. | PARTS NO.    | DESCRIPTION         | QTY |     |     |     |     |     | I | R |
|------|------|--------------|---------------------|-----|-----|-----|-----|-----|-----|---|---|
|      |      |              |                     | (A) | (B) | (C) | (D) | (E) | (F) |   |   |
| 1    | 1    | 119620-14200 | TAPPET              | 6   |     |     |     |     |     |   |   |
| 2    | 1    | 119717-14400 | ROD, PUSH           | 6   |     |     |     |     |     |   |   |
| 3    | 1    | 119717-14580 | CAMSHAFT ASSY       | 1   |     |     |     |     |     |   |   |
| 9    | 1    | 26106-060122 | BOLT M 6X 12 PLATED | 2   |     |     |     |     |     |   |   |
| 10   | 1    | 119717-25050 | SHAFT, IDLE         | 1   |     |     |     |     |     |   |   |
| 11   | 1    | 119717-25100 | GEAR ASSY, IDLE     | 1   |     |     |     |     |     |   |   |
| 14   | 1    | 26106-060352 | BOLT M 6X 35 PLATED | 3   |     |     |     |     |     |   |   |
| 15   | 1    | 129150-25301 | BOLT, PUMP          | 4   |     |     |     |     |     |   |   |
| 16   | 1    | 119717-25930 | GEAR, PUMP          | 1   |     |     |     |     |     |   |   |

Fig.10. CRANKSHAFT & PISTON



(A)=3YM30

(B)=

(C)=

(D)=

(E)=

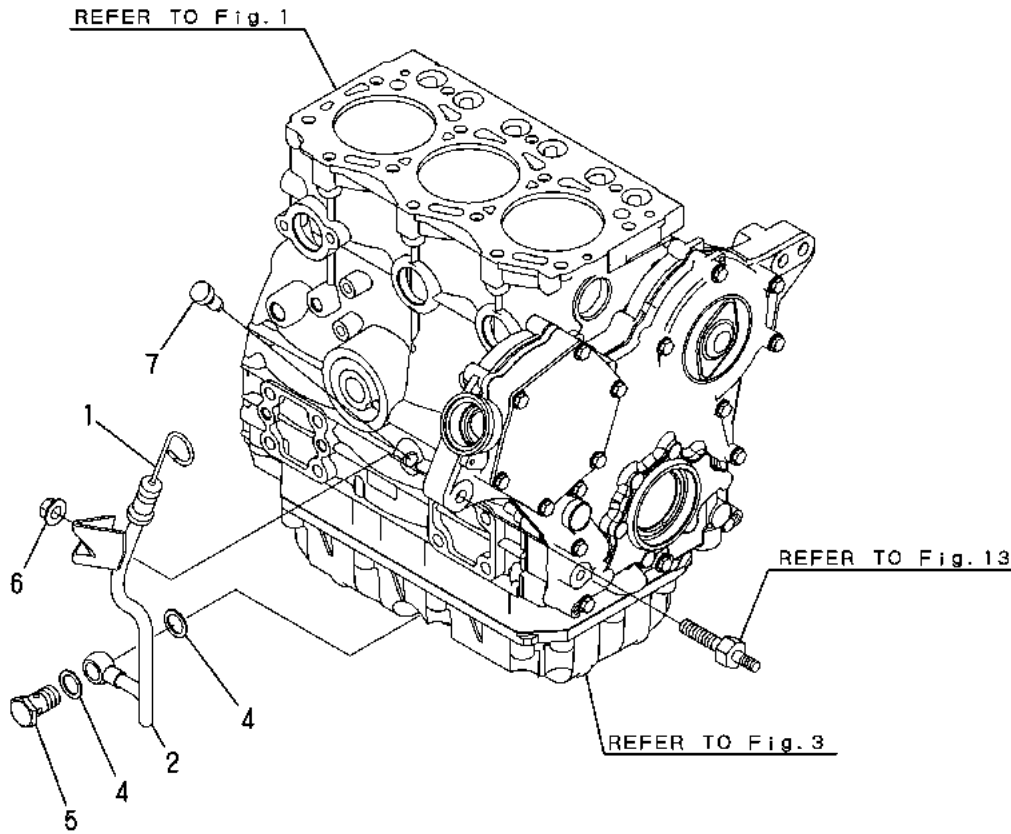
(F)=

| REF. | LEV. | PARTS NO.    | DESCRIPTION           | QTY |     |     |     |     |     | I | R |
|------|------|--------------|-----------------------|-----|-----|-----|-----|-----|-----|---|---|
|      |      |              |                       | (A) | (B) | (C) | (D) | (E) | (F) |   |   |
| 1    | 1    | 119717-21700 | CRANKSHAFT ASSY       | 1   |     |     |     |     |     |   |   |
| 2    | 2    | 129100-01580 | PIN, PARALLEL         | 1   |     |     |     |     |     |   |   |
| 6    | 2    | 22512-040120 | KEY, 4X12             | 1   |     |     |     |     |     |   |   |
| 7    | 1    | 121111-21501 | BOLT, FLYWHEEL        | 5   |     |     |     |     |     |   |   |
| 8    | 1    | 128990-21590 | FLYWHEEL ASSY         | 1   |     |     |     |     |     |   |   |
| 11   | 2    | 124950-21600 | GEAR, RING            | 1   |     |     |     |     |     |   |   |
| 12   | 1    | 128990-21650 | V-PULLEY, CRANKSHAFT  | 1   |     |     |     |     |     |   |   |
| 13   | 1    | 119621-21680 | BOLT, FLANGE 12X1.25  | 1   |     |     |     |     |     |   |   |
| 14   | 1    | 119620-21941 | WASHER                | 1   |     |     |     |     |     |   |   |
| 16   | 1    | 119718-22080 | PISTON W/RING         | 3   |     |     |     |     |     |   |   |
| 18   | 2    | 119717-22500 | RING SET, PISTON      | 3   |     |     |     |     |     |   |   |
| 22   | 1    | 119717-22300 | PIN, PISTON           | 3   |     |     |     |     |     |   |   |
| 23   | 1    | 22252-000220 | CIRCLIP 22            | 6   |     |     |     |     |     |   |   |
| 24   | 1    | 119717-23000 | ROD ASSY, CONNECTING  | 3   |     |     |     |     |     |   |   |
| 27   | 2    | 119717-23910 | METAL, PISTON PIN     | 3   |     |     |     |     |     |   | 1 |
| 28   | 2    | 119717-23200 | BOLT, CONNECTING ROD  | 6   |     |     |     |     |     |   |   |
| 29   | 2    | 119717-23600 | METAL ASSY, CRANK PIN | 3   |     |     |     |     |     |   |   |
| 32   | 1    | 119718-22090 | PISTON W/RING .25OS   | 3   |     |     |     |     |     |   | 2 |
| 34   | 2    | 119717-22550 | RING SET, PISTON .25  | 3   |     |     |     |     |     |   | 2 |
| 40   | 1    | 119717-23610 | METAL, CRANK PIN .25  | 3   |     |     |     |     |     |   | 3 |
| 42   | 1    | 177070-03501 | DISK, DAMPER D170     | 1   |     |     |     |     |     |   |   |
| 43   | 1    | 26013-080142 | BOLT M 8X 14          | 6   |     |     |     |     |     |   |   |

Remarks

- (1)REPAIR PART.
- (2)OVER SIZED(O.S.=0.25)PART.
- (3)UNDER SIZED(U.S.=0.25)PART.

Fig.11. LUB.OIL DIPSTICK



(A)=3YM30

(B)=

(C)=

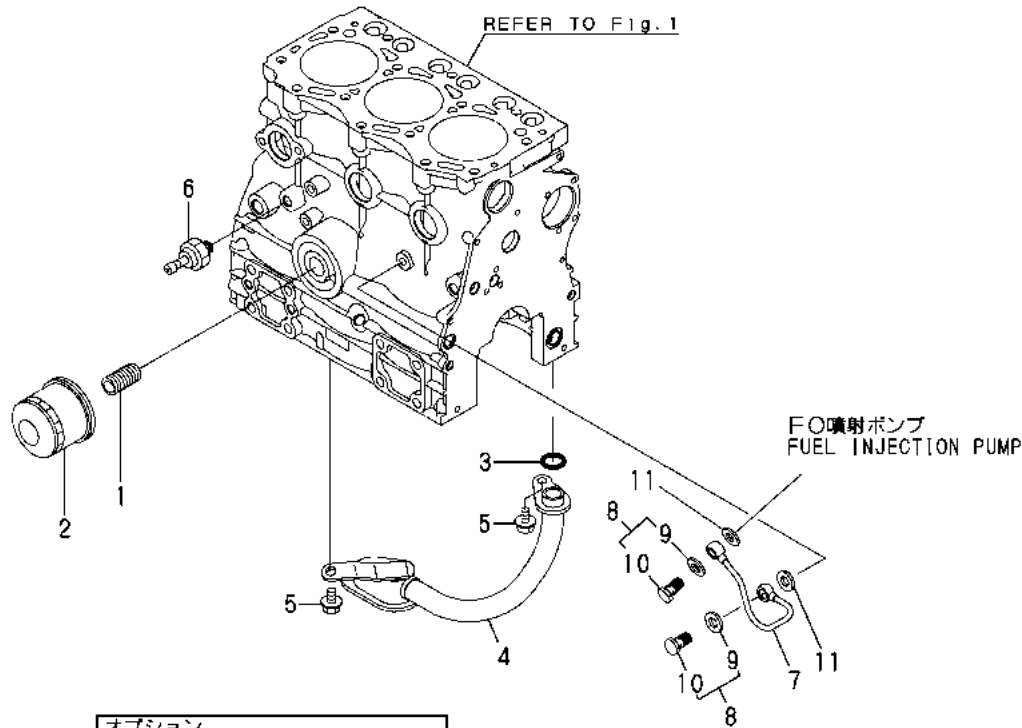
(D)=

(E)=

(F)=

| REF. | LEV. | PARTS NO.    | DESCRIPTION          | QTY |     |     |     |     |     | I | R |
|------|------|--------------|----------------------|-----|-----|-----|-----|-----|-----|---|---|
|      |      |              |                      | (A) | (B) | (C) | (D) | (E) | (F) |   |   |
| 1    | 1    | 128990-34850 | DIPSTICK, LUB.OIL    | 1   |     |     |     |     |     |   |   |
| 2    | 1    | 128990-34860 | GUIDE ASSY, DIPSTICK | 1   |     |     |     |     |     |   |   |
| 4    | 1    | 22190-160002 | WASHER, 16           | 2   |     |     |     |     |     |   |   |
| 5    | 1    | 23857-100000 | JOINT BOLT 10        | 1   |     |     |     |     |     |   |   |
| 6    | 1    | 26366-100002 | NUT M10              | 1   |     |     |     |     |     |   |   |
| 7    | 1    | 124976-34850 | CAP                  | 1   |     |     |     |     |     |   |   |

Fig.12. LUB.OIL SYSTEM



(A)=3YM30  
(B)=  
(C)=

(D)=  
(E)=  
(F)=

| REF. | LEV. | PARTS NO.    | DESCRIPTION          | QTY |     |     |     |     |     | I | R |
|------|------|--------------|----------------------|-----|-----|-----|-----|-----|-----|---|---|
|      |      |              |                      | (A) | (B) | (C) | (D) | (E) | (F) |   |   |
| 1    | 1    | 129100-35140 | STUD                 | 1   |     |     |     |     |     |   |   |
| 2    | 1    | 119305-35150 | FILTER, LUB. OIL     | 1   |     |     |     |     |     |   |   |
| 3    | 1    | 119717-32060 | O-RING, P15.0        | 1   |     |     |     |     |     |   |   |
| 4    | 1    | 128990-35080 | PIPE ASSY, OIL INLET | 1   |     |     |     |     |     |   |   |
| 5    | 1    | 26106-060102 | BOLT 6X 10 PLATED    | 2   |     |     |     |     |     |   |   |
| 6    | 1    | 114250-39450 | SWITCH, OIL PRESSURE | 1   |     |     |     |     |     |   |   |
| 7    | 1    | 119717-39210 | PIPE, LUB.OIL        | 1   |     |     |     |     |     |   |   |
| 8    | 1    | 129005-59830 | BOLT ASSY, JOINT     | 2   |     |     |     |     |     |   |   |
| 9    | 2    | 22190-080002 | SEAL WASHER 8S       | 2   |     |     |     |     |     |   |   |
| 10   | 2    | 23857-030000 | JOINT BOLT 3         | 2   |     |     |     |     |     |   |   |
| 11   | 1    | 22190-080002 | SEAL WASHER 8S       | 2   |     |     |     |     |     |   |   |
| 12   | 1    | 128275-39710 | PIPE, LUB OIL        | 1   |     |     |     |     |     |   |   |
| 13   | 1    | 23080-018000 | CLAMP 18             | 3   |     |     |     |     |     |   |   |
| 14   | 1    | 28210-000080 | PUMP                 | 1   |     |     |     |     |     |   |   |



Fig.13. COOLING SEA WATER PUMP

(A)=3YM30

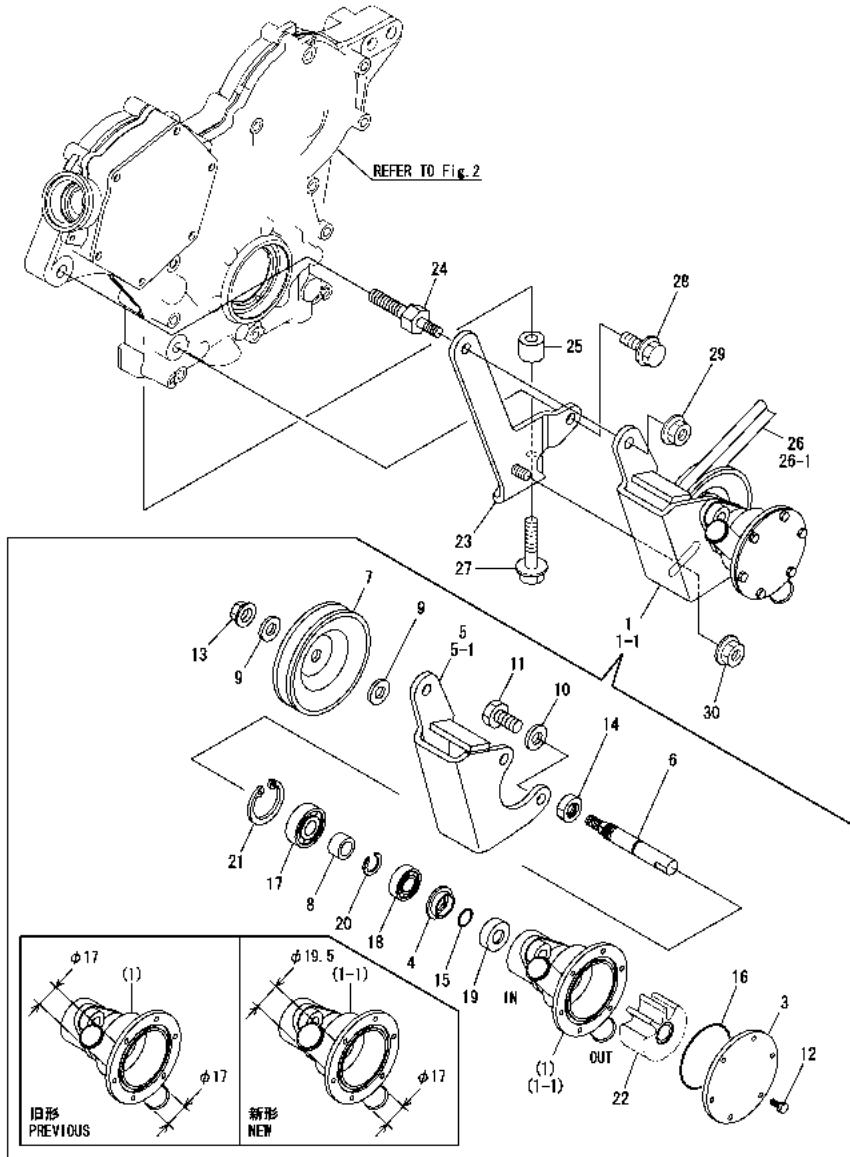
(B)=

(C)=

(D)=

(E)=

(F)=



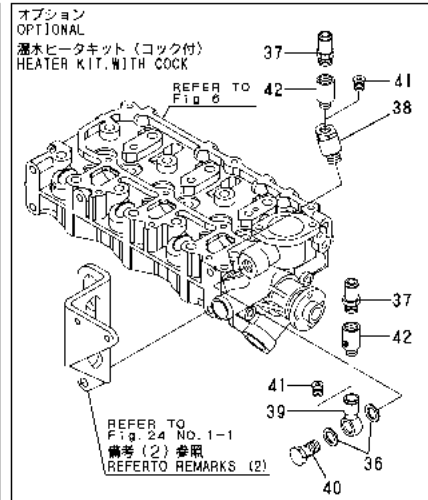
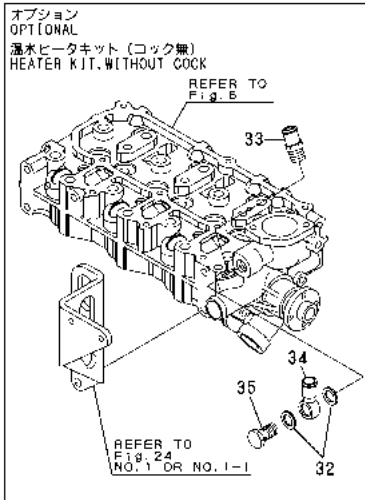
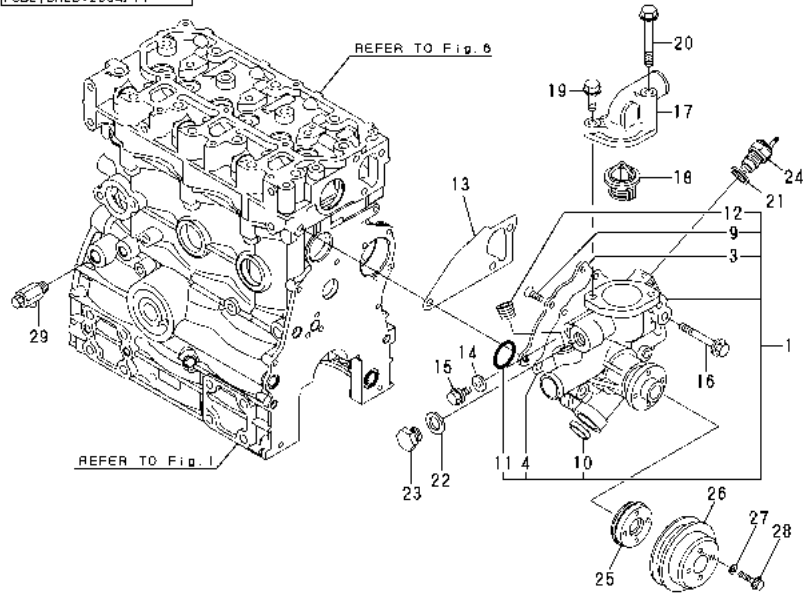
| REF.          | LEV. | PARTS NO.    | DESCRIPTION         | QTY |     |     |     |     |     | I | R   |
|---------------|------|--------------|---------------------|-----|-----|-----|-----|-----|-----|---|-----|
|               |      |              |                     | (A) | (B) | (C) | (D) | (E) | (F) |   |     |
| 1             | 1    | 128990-42500 | CSW-P CMP           | 1   |     |     |     |     |     |   |     |
| 1-1           | 1    | 128990-42510 | CSW-P CMP           | 1   |     |     |     |     |     |   | S 2 |
| (A=*2009.02)  |      |              |                     |     |     |     |     |     |     |   |     |
| 3             | 2    | X0142398     | COVER, END          | 1   |     |     |     |     |     |   |     |
| 4             | 2    | X0145050     | PLATE               | 1   |     |     |     |     |     |   |     |
| 5             | 2    | 128990-42150 | BRACKET A,CSW-P     | 1   |     |     |     |     |     |   |     |
| 5-1           | 2    | 128990-42151 | BRACKET, PUMP A     | 1   |     |     |     |     |     |   | F 1 |
| (A=E/#E01733) |      |              |                     |     |     |     |     |     |     |   |     |
| 6             | 2    | X0146541     | SHAFT               | 1   |     |     |     |     |     |   |     |
| 7             | 2    | 124070-42400 | V-PULLEY, C.W. PUMP | 1   |     |     |     |     |     |   |     |
| 8             | 2    | X0146542     | SPACER              | 1   |     |     |     |     |     |   |     |
| 9             | 2    | X014678901   | WASHER              | 2   |     |     |     |     |     |   |     |
| 10            | 2    | X00353309    | WASHER              | 2   |     |     |     |     |     |   |     |
| 11            | 2    | X00141916    | SCREW               | 2   |     |     |     |     |     |   |     |
| 12            | 2    | 128990-42520 | SCREW               | 6   |     |     |     |     |     |   |     |
| 13            | 2    | X00190050    | NUT, LOCK           | 1   |     |     |     |     |     |   |     |
| 14            | 2    | X00183200    | NUT                 | 1   |     |     |     |     |     |   |     |
| 15            | 2    | X02173432    | O-RING              | 1   |     |     |     |     |     |   |     |
| 16            | 2    | X02173476    | O-RING              | 1   |     |     |     |     |     |   |     |
| 17            | 2    | X03431760    | BALL BEARING        | 1   |     |     |     |     |     |   |     |
| 18            | 2    | X03431748    | BALL BEARING        | 1   |     |     |     |     |     |   |     |
| 19            | 2    | X02233010    | RIP SEAL            | 1   |     |     |     |     |     |   |     |
| 20            | 2    | X00370012    | RETAINING RING      | 1   |     |     |     |     |     |   |     |
| 21            | 2    | X00371732    | RETAINING RING      | 1   |     |     |     |     |     |   |     |
| 22            | 2    | 128397-42200 | IMPELLER            | 1   |     |     |     |     |     |   |     |
| 22-1          | 2    | 128990-42200 | IMPELLER, C. WATER  | 1   |     |     |     |     |     |   | R   |
| (A=*2004.05)  |      |              |                     |     |     |     |     |     |     |   |     |
| 23            | 1    | 128990-42160 | BRACKET, PUMP B     | 1   |     |     |     |     |     |   |     |
| 24            | 1    | 128990-42170 | BOLT, SPACER        | 1   |     |     |     |     |     |   |     |
| 25            | 1    | 128990-42180 | COLLAR, BRACKET     | 1   |     |     |     |     |     |   |     |
| 26            | 1    | 128990-77350 | V-BELT,M/20INCHI    | 1   |     |     |     |     |     |   |     |
| 26-1          | 1    | 104511-78780 | V-BELT,M/19INCHI    | 1   |     |     |     |     |     |   | F 1 |
| (A=E/#E01733) |      |              |                     |     |     |     |     |     |     |   |     |
| 27            | 1    | 26106-060302 | BOLT M 6X 30 PLATED | 1   |     |     |     |     |     |   |     |
| 28            | 1    | 26106-080202 | BOLT M 8X 20 PLATED | 1   |     |     |     |     |     |   |     |
| 29            | 1    | 26366-080002 | NUT M 8             | 1   |     |     |     |     |     |   |     |
| 30            | 1    | 26366-080002 | NUT M 8             | 1   |     |     |     |     |     |   |     |

Remarks

- (1)INTERCHANGEABLE BY SIMULTANEOUS REPLACEMENT WITH REF.NO.5-1,26-1.
- (2)INTERCHANGEABLE BY SIMULTANEOUS REPLACEMENT WITH LOALARRANGEMENTS PUMP ENTRANCE HOSE..(57MM-68MM)

Fig.14. COOLING FRESH WATER PUMP

P/C NEWS No:Y00P5600-3  
PUBLISHED:2004/11



Remarks  
(1)HEATER KIT, WITHOUT COCK ASSY.  
(2)HEATER KIT, WITH COCK ASSY.  
TO AVOID THE INTERFERENCE BETWEEN  
THE JOINT AND LIFTING HOOK.  
IN USE OF FIG.24 NO.1, PLEASE  
EXCHANGE FOR NO.1-1.

(A)=3YM30

(B)=

(C)=

(D)=

(E)=

(F)=

| REF. | LEV. | PARTS NO.    | DESCRIPTION          | QTY                 |     |     |     |     |     | I | R   |
|------|------|--------------|----------------------|---------------------|-----|-----|-----|-----|-----|---|-----|
|      |      |              |                      | (A)                 | (B) | (C) | (D) | (E) | (F) |   |     |
| 1    | 1    | 119717-42002 | PUMP ASSY, WATER     | 1                   |     |     |     |     |     |   |     |
| 3    | 2    | 119717-42041 | COVER                | 1                   |     |     |     |     |     |   |     |
| 4    | 2    | 119717-42031 | GASKET               | 1                   |     |     |     |     |     |   |     |
| 9    | 2    | 26577-060122 | SCREW, M6X12         | 4                   |     |     |     |     |     |   |     |
| 10   | 2    | 27241-250000 | PLUG 25              | 1                   |     |     |     |     |     |   |     |
| 11   | 2    | 119717-42320 | O-RING, P26          | 1                   |     |     |     |     |     |   |     |
| 12   | 2    | 129916-49740 | PLUG, R03            | 1                   |     |     |     |     |     |   |     |
| 13   | 1    | 119717-42020 | GASKET, WATER PUMP   | 1                   |     |     |     |     |     |   |     |
| 14   | 1    | 23414-080000 | GASKET 8, ROUND      | 1                   |     |     |     |     |     |   |     |
| 15   | 1    | 26106-080122 | BOLT M 8X 12 PLATED  | 1                   |     |     |     |     |     |   |     |
| 16   | 1    | 26106-080502 | BOLT M 8X 50 PLATED  | 3                   |     |     |     |     |     |   |     |
| 17   | 1    | 124101-49530 | COVER, THERMOSTAT    | 1                   |     |     |     |     |     |   |     |
| 18   | 1    | 128990-49800 | THERMOSTAT           | 1                   |     |     |     |     |     |   |     |
| 19   | 1    | 26106-080252 | BOLT M 8X 25 PLATED  | 1                   |     |     |     |     |     |   |     |
| 20   | 1    | 26106-080652 | BOLT M 8X 65 PLATED  | 1                   |     |     |     |     |     |   |     |
| 21   | 1    | 124465-44950 | GASKET, 16           | 1                   |     |     |     |     |     |   |     |
| 22   | 1    | 124465-44950 | GASKET, 16           | 1                   |     |     |     |     |     |   |     |
| 23   | 1    | 23887-160002 | PLUG 16,HEX.         | 1                   |     |     |     |     |     |   |     |
| 24   | 1    | 46150-503100 | SWITCH, THERMO.      | 1                   |     |     |     |     |     |   |     |
| 25   | 1    | 128990-42260 | SPACER, PUMP         | 1                   |     |     |     |     |     |   |     |
| 26   | 1    | 119740-42350 | V-PULLEY, WATER PUMP | 1                   |     |     |     |     |     |   |     |
| 27   | 1    | 22217-060000 | SPRING WASHER 6      | 4                   |     |     |     |     |     |   |     |
| 28   | 1    | 26106-060282 | BOLT M 6X 28 PLATED  | 4                   |     |     |     |     |     |   |     |
| 29   | 1    | 119620-49290 | COCK ASSY            | 1                   |     |     |     |     |     |   |     |
| I    | 32   | 1            | 124465-44950         | GASKET, 16          | 2   |     |     |     |     |   | 1   |
| I    | 33   | 1            | 128990-49320         | JOINT, 3/8          | 1   |     |     |     |     |   | 1   |
| I    | 34   | 1            | 128990-49330         | JOINT               | 1   |     |     |     |     |   | 1   |
| I    | 35   | 1            | 23854-100000         | JOINT BOLT 10       | 1   |     |     |     |     |   | 1   |
| I    | 36   | 1            | 124465-44950         | GASKET, 16          | 2   |     |     |     |     |   | W 2 |
|      |      |              | (A=*2004.11)         |                     |     |     |     |     |     |   |     |
| I    | 37   | 1            | 128990-49320         | JOINT, 3/8          | 2   |     |     |     |     |   | W 2 |
|      |      |              | (A=*2004.11)         |                     |     |     |     |     |     |   |     |
| I    | 38   | 1            | 128990-49350         | JOINT, 3/8X1/4      | 1   |     |     |     |     |   | W 2 |
|      |      |              | (A=*2004.11)         |                     |     |     |     |     |     |   |     |
| I    | 39   | 1            | 128990-49360         | JOINT               | 1   |     |     |     |     |   | W 2 |
|      |      |              | (A=*2004.11)         |                     |     |     |     |     |     |   |     |
| I    | 40   | 1            | 128990-49370         | BOLT,PIPE JOINT     | 1   |     |     |     |     |   | W 2 |
|      |      |              | (A=*2004.11)         |                     |     |     |     |     |     |   |     |
| I    | 41   | 1            | 128990-49380         | PLUG, R1/4          | 2   |     |     |     |     |   | W 2 |
|      |      |              | (A=*2004.11)         |                     |     |     |     |     |     |   |     |
| I    | 42   | 1            | 128990-49390         | COCK CMP,R1/4XRP3/8 | 2   |     |     |     |     |   | W 2 |
|      |      |              | (A=*2004.11)         |                     |     |     |     |     |     |   |     |

Fig.15. COOLING FRESH WATER COOLER

(A)=3YM30

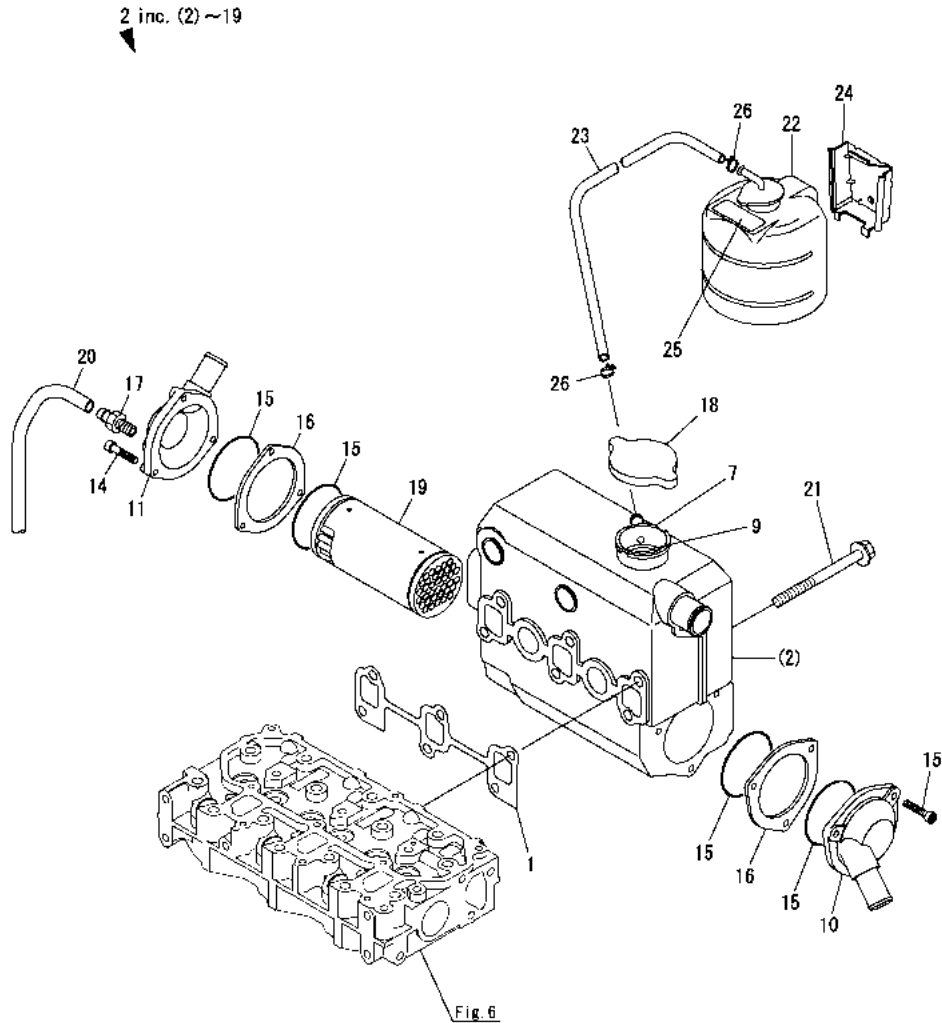
(B)=

(C)=

(D)=

(E)=

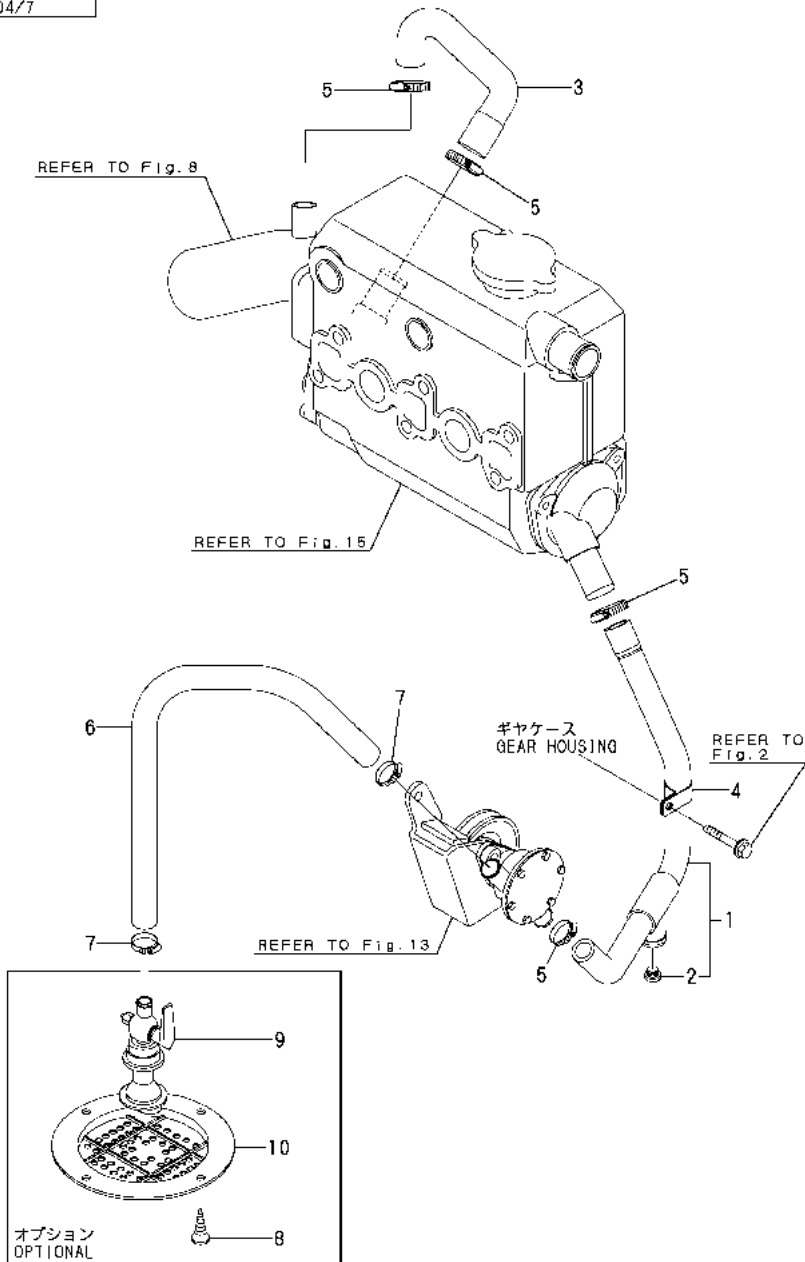
(F)=



| REF. | LEV. | PARTS NO.    | DESCRIPTION          | Q'TY |     |     |     |     |     | I | R |
|------|------|--------------|----------------------|------|-----|-----|-----|-----|-----|---|---|
|      |      |              |                      | (A)  | (B) | (C) | (D) | (E) | (F) |   |   |
| 1    | 1    | 119717-13110 | GASKET, MANIFOLD     | 1    |     |     |     |     |     |   |   |
| 2    | 1    | 128990-44900 | EXCHANGER ASSY, HEAT | 1    |     |     |     |     |     |   |   |
| 7    | 3    | 129673-44110 | FILLER NECK          | 1    |     |     |     |     |     |   |   |
| 9    | 3    | 129673-44150 | TUBE D28.5X1.5 LG6   | 1    |     |     |     |     |     |   |   |
| 10   | 2    | 128990-44070 | BONNET, INLET        | 1    |     |     |     |     |     |   |   |
| 11   | 2    | 128990-44080 | BONNET ASSY, OUTLET  | 1    |     |     |     |     |     |   |   |
| 14   | 2    | 128990-44090 | SCREW, M6X30         | 6    |     |     |     |     |     |   |   |
| 15   | 2    | 128990-44100 | O RING D65.6 X 3.53  | 4    |     |     |     |     |     |   |   |
| 16   | 2    | 128990-44110 | SPACER               | 2    |     |     |     |     |     |   |   |
| 17   | 2    | 128990-44120 | DRAIN PLUG           | 1    |     |     |     |     |     |   |   |
| 18   | 2    | 128990-44130 | CAP 0.95 BAR         | 1    |     |     |     |     |     |   |   |
| 19   | 2    | 128990-44400 | ELEMENT              | 1    |     |     |     |     |     |   |   |
| 20   | 1    | 23061-070300 | PIPE 7X 300          | 1    |     |     |     |     |     |   |   |
| 21   | 1    | 26106-081152 | BOLT M 8X115 PLATED  | 6    |     |     |     |     |     |   |   |
| 22   | 1    | 128397-44500 | TANK ASSY, SUB       | 1    |     |     |     |     |     |   |   |
| 23   | 1    | 129270-44500 | PIPE, OVER FLOW      | 1    |     |     |     |     |     |   |   |
| 24   | 1    | 128397-44510 | BRACKET, SUB TANK    | 1    |     |     |     |     |     |   |   |
| 25   | 1    | 129670-44570 | LABEL, SUB-TANK      | 1    |     |     |     |     |     |   |   |
| 26   | 1    | 23010-013000 | CLAMP 13             | 2    |     |     |     |     |     |   |   |

Fig.16. COOLING SEA WATER PIPE

P/C NEWS No: Y00R5600-2  
PUBLISHED: 2004/7



OCR10-G56000 16. COOLING SEA WATER PIPE

(A)=3YM30

(B)=

(C)=

(D)=

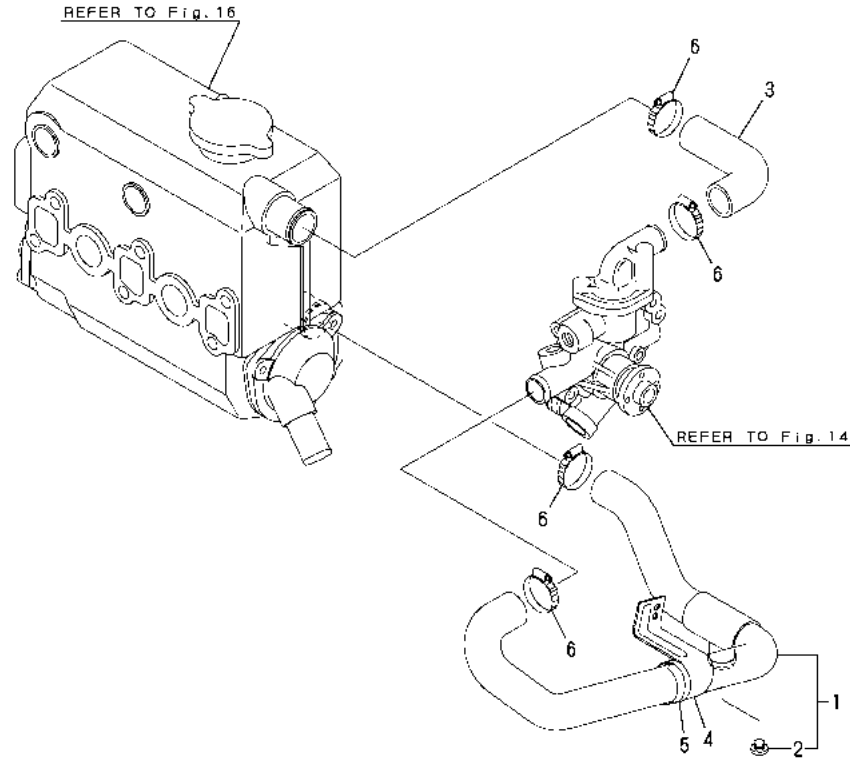
(E)=

(F)=

| REF. | LEV. | PARTS NO.    | DESCRIPTION          | QTY |     |     |     |     |     | I | R |
|------|------|--------------|----------------------|-----|-----|-----|-----|-----|-----|---|---|
|      |      |              |                      | (A) | (B) | (C) | (D) | (E) | (F) |   |   |
| 1    | 1    | 128990-49010 | PIPE, WATER A        | 1   |     |     |     |     |     |   |   |
| I 2  | 2    | 128990-49110 | PLUG ASSY, DRAIN     | 1   |     |     |     |     |     |   |   |
| 3    | 1    | 128990-49020 | PIPE, WATER B        | 1   |     |     |     |     |     |   |   |
| 4    | 1    | 121575-49310 | CLAMP                | 1   |     |     |     |     |     |   |   |
| 5    | 1    | 23000-028000 | CLAMP 28             | 4   |     |     |     |     |     |   |   |
| 6    | 1    | 124223-49050 | PIPE, COOLING WATER  | 1   |     |     |     |     |     |   |   |
| 7    | 1    | 23000-025000 | CLAMP 25             | 2   |     |     |     |     |     |   |   |
| 8    | 1    | 22724-800380 | SCREW, M8X38         | 4   |     |     |     |     |     |   |   |
| 9    | 1    | 43662-015020 | COCK ASSY, SEA WATER | 1   |     |     |     |     |     |   |   |
| 10   | 1    | 43666-020951 | COVER, STRAINER      | 1   |     |     |     |     |     |   |   |

# Fig.17. COOLING FRESH WATER PIPE

P/C NEWS No: Y00R5600-2  
PUBLISHED: 2004/7



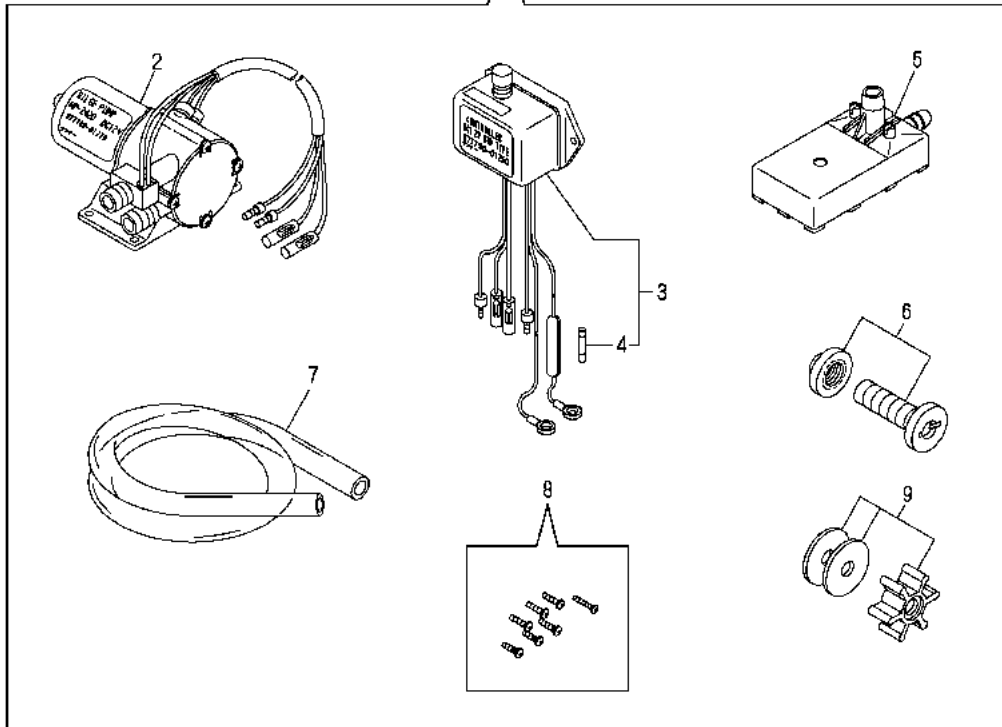
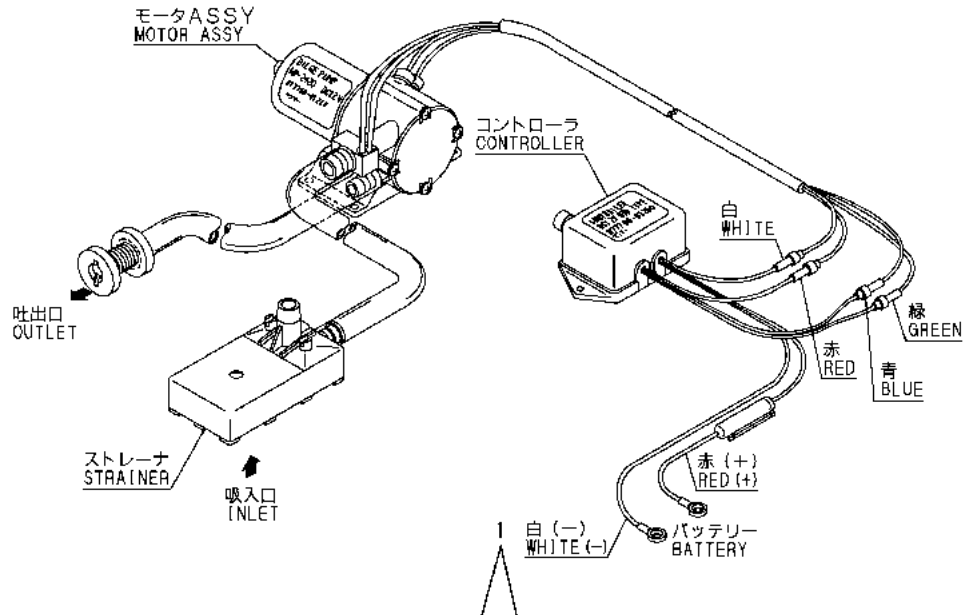
## OCR10-G56000 17. COOLING FRESH WATER PIPE

(A)=3YM30  
(B)=  
(C)=

(D)=  
(E)=  
(F)=

| REF. | LEV. | PARTS NO.                    | DESCRIPTION      | Q'TY |     |     |     |     |     | I | R |
|------|------|------------------------------|------------------|------|-----|-----|-----|-----|-----|---|---|
|      |      |                              |                  | (A)  | (B) | (C) | (D) | (E) | (F) |   |   |
|      | 1    | 128990-49050                 | PIPE, WATER A    | 1    |     |     |     |     |     |   |   |
| I    | 2    | 128990-49110                 | PLUG ASSY, DRAIN | 1    |     |     |     |     |     |   |   |
|      | 3    | 128990-49060                 | PIPE, WATER B    | 1    |     |     |     |     |     |   |   |
| I    | 3-1  | 128990-49070<br>(A=*2004.06) | PIPE, WATER B    | 1    |     |     |     |     |     |   | R |
|      | 4    | 128990-49150                 | CLAMP, PIPE      | 1    |     |     |     |     |     |   |   |
|      | 5    | 194250-51660                 | BAND 250         | 1    |     |     |     |     |     |   |   |
|      | 6    | 23000-041000                 | CLAMP 41         | 4    |     |     |     |     |     |   |   |

Fig.18. BILGE PUMP(STD/OPTIONAL)



OCR10-G56000 18. BILGE PUMP(STD/OPTIONAL)

(A)=3YM30

(B)=

(C)=

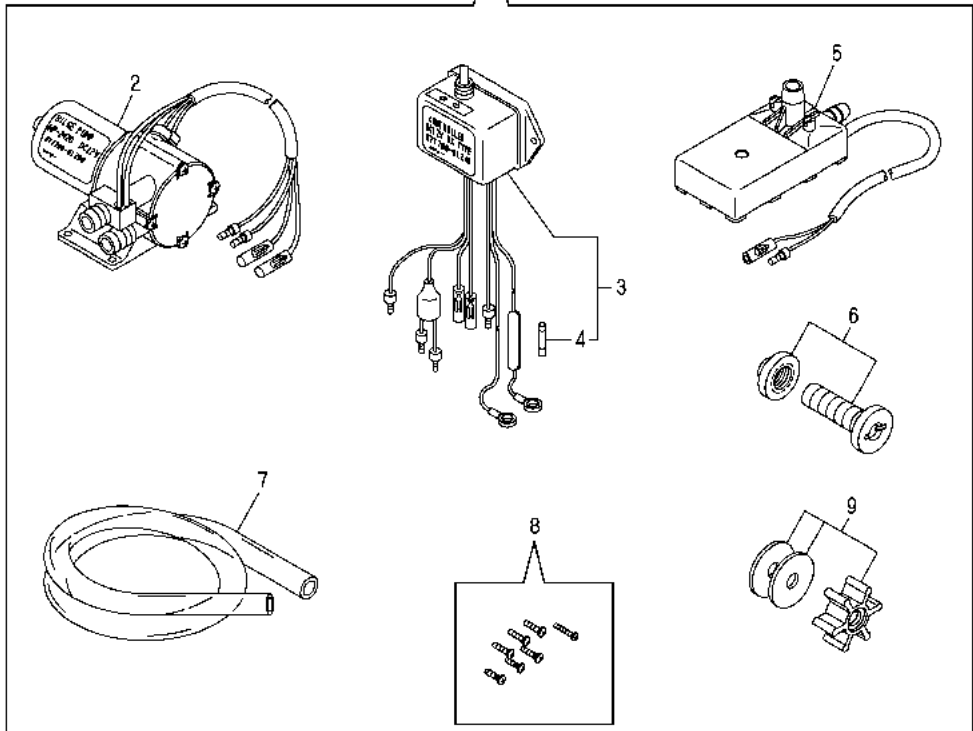
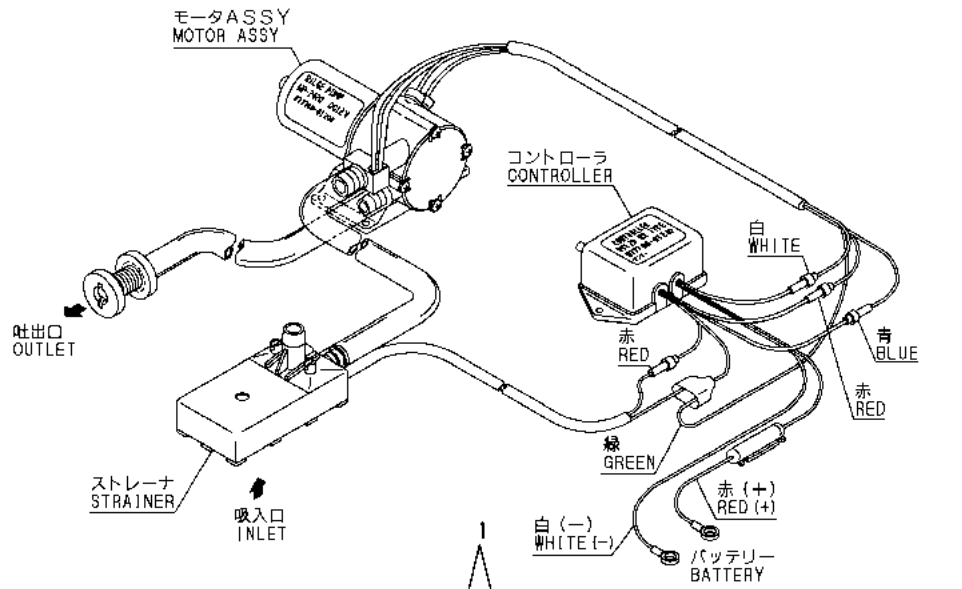
(D)=

(E)=

(F)=

| REF. | LEV. | PARTS NO.    | DESCRIPTION          | QTY |     |     |     |     |     | I | R |
|------|------|--------------|----------------------|-----|-----|-----|-----|-----|-----|---|---|
|      |      |              |                      | (A) | (B) | (C) | (D) | (E) | (F) |   |   |
| 1    | 1    | 977780-01210 | PUMP(12V).BILGE      | 1   |     |     |     |     |     |   |   |
| 2    | 2    | 977780-01230 | MOTOR ASSY(BILG PUMP | 1   |     |     |     |     |     |   |   |
| 3    | 2    | 977780-01250 | CONTROLLER           | 1   |     |     |     |     |     |   |   |
| 4    | 3    | X8636008003  | FUSE                 | 1   |     |     |     |     |     |   |   |
| 5    | 2    | X179100021X  | STRAINER             | 1   |     |     |     |     |     |   |   |
| 6    | 2    | X179100100X  | PIPE ASSY            | 1   |     |     |     |     |     |   |   |
| 7    | 2    | X0044021509  | HOSE A               | 1   |     |     |     |     |     |   |   |
| 8    | 2    | X199903800X  | SCREW KIT            | 1   |     |     |     |     |     |   |   |
| 9    | 2    | 977780-03000 | INPELLER             | 1   |     |     |     |     |     |   |   |

Fig.19. BILGE PUMP(DX/OPTIONAL)



(A)=3YM30

(B)=

(C)=

(D)=

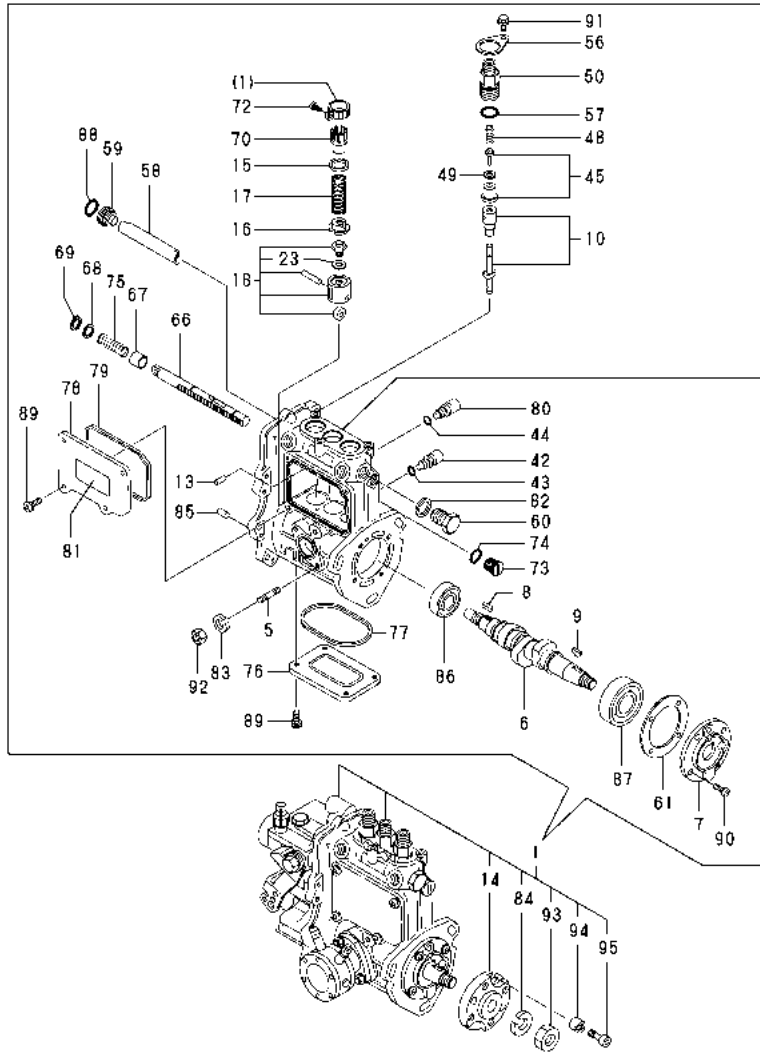
(E)=

(F)=

| REF. | LEV. | PARTS NO.    | DESCRIPTION          | QTY |     |     |     |     |     | I | R |
|------|------|--------------|----------------------|-----|-----|-----|-----|-----|-----|---|---|
|      |      |              |                      | (A) | (B) | (C) | (D) | (E) | (F) |   |   |
| 1    | 1    | 977780-01200 | PUMP(12V).BILGE      | 1   |     |     |     |     |     |   |   |
| 2    | 2    | 977780-01230 | MOTOR ASSY(BILG PUMP | 1   |     |     |     |     |     |   |   |
| 3    | 2    | 977780-01240 | CONTROLLER           | 1   |     |     |     |     |     |   |   |
| 4    | 3    | X8636008003  | FUSE                 | 1   |     |     |     |     |     |   |   |
| 5    | 2    | X179100011X  | STRAINER             | 1   |     |     |     |     |     |   |   |
| 6    | 2    | X179100100X  | PIPE ASSY            | 1   |     |     |     |     |     |   |   |
| 7    | 2    | X0044021509  | HOSE A               | 1   |     |     |     |     |     |   |   |
| 8    | 2    | X199903800X  | SCREW KIT            | 1   |     |     |     |     |     |   |   |
| 9    | 2    | 977780-03000 | INPELLER             | 1   |     |     |     |     |     |   |   |

Fig.20. FUEL INJECTION PUMP

P/C NEWS No:Y00R5600-6  
PUBLISHED:2008/5



Remarks

(1)GOVERNOR(FIG.21)AND FUEL FEED PUMP (FIG.22) IS INCORPORATED IN THIS FUEL INJECTION PUMP(REF.NO.1).  
(2)INTERCHANGEABLE BY SIMULTANEOUS REPLACEMENT WITH REF.NO.45-1,50-1.

(A)=3YM30

(B)=

(C)=

(D)=

(E)=

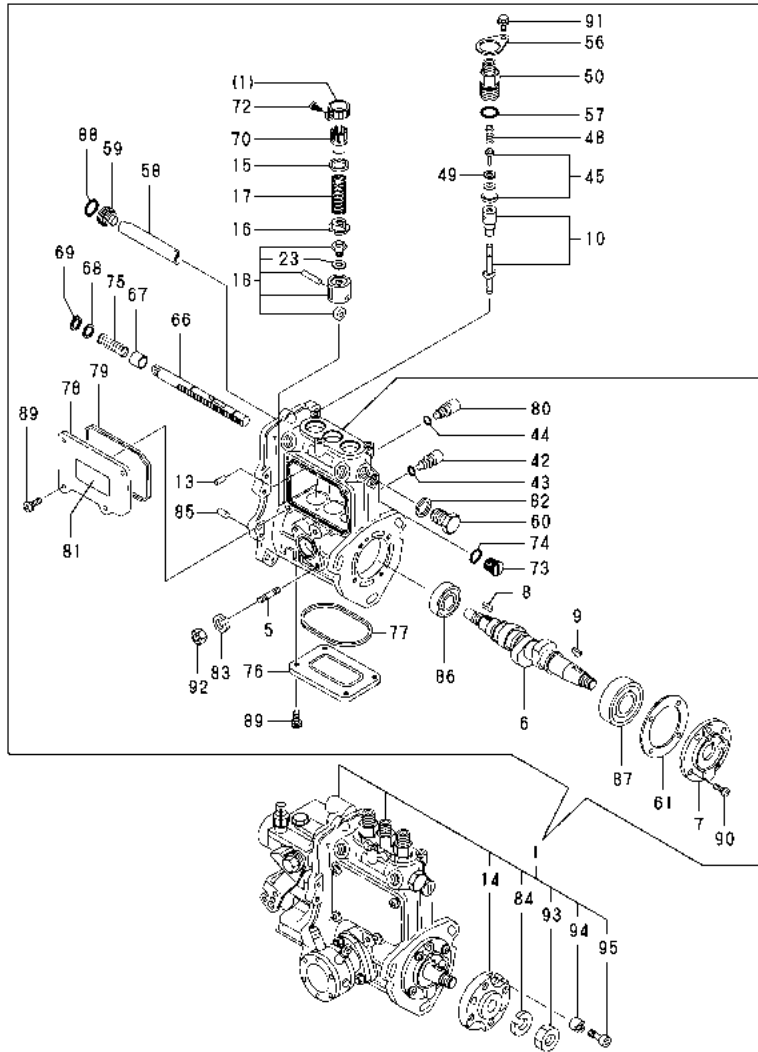
(F)=

| REF.         | LEV. | PARTS NO.    | DESCRIPTION          | Q'TY                 |     |     |     |     |     | I | R   |
|--------------|------|--------------|----------------------|----------------------|-----|-----|-----|-----|-----|---|-----|
|              |      |              |                      | (A)                  | (B) | (C) | (D) | (E) | (F) |   |     |
| 1            | 1    | 728990-51350 | PUMP ASSY, INJECTION | 1                    |     |     |     |     |     |   | 1   |
| 5            | 2    | 129155-51020 | STUD, FEED PUMP      | 2                    |     |     |     |     |     |   |     |
| 6            | 2    | 119717-51030 | CAMSHAFT             | 1                    |     |     |     |     |     |   |     |
| 7            | 2    | 119717-51060 | SUPPORT, CAMSHAFT    | 1                    |     |     |     |     |     |   |     |
| 8            | 2    | 119717-51070 | KEY, PARALLEL        | 1                    |     |     |     |     |     |   |     |
| 9            | 2    | 122710-51090 | KEY, WOODRUFF        | 1                    |     |     |     |     |     |   |     |
| 10           | 2    | 119740-51100 | PLUNGER W/BARREL     | 3                    |     |     |     |     |     |   |     |
| 13           | 2    | 129155-51140 | PIN, BARREL LOCKING  | 3                    |     |     |     |     |     |   |     |
| 14           | 2    | 119717-51150 | FLANGE               | 1                    |     |     |     |     |     |   |     |
| 15           | 2    | 158600-51170 | RETAINER, SPRING     | 3                    |     |     |     |     |     |   |     |
| 16           | 2    | 119717-51180 | RETAINER, SPRING     | 3                    |     |     |     |     |     |   |     |
| I            | 16-1 | 2            | 119717-51570         | RETAINER, SPRING     | 3   |     |     |     |     |   | R   |
| (A=*2005.11) |      |              |                      |                      |     |     |     |     |     |   |     |
| 17           | 2    | 119717-51190 | SPRING, PLUNGER      | 3                    |     |     |     |     |     |   |     |
| 18           | 2    | 119717-51200 | TAPPET ASSY          | 3                    |     |     |     |     |     |   |     |
| 18-1         | 2    | 128990-51200 | TAPPET ASSY          | 3                    |     |     |     |     |     |   | N   |
| (A=*2003.08) |      |              |                      |                      |     |     |     |     |     |   |     |
| 23           | 3    | 129155-51600 | SHIM SET, ADJUSTING  | 3                    |     |     |     |     |     |   |     |
| 42           | 2    | 158600-51270 | STOPPER, TAPPET      | 3                    |     |     |     |     |     |   |     |
| 43           | 2    | 129155-51280 | O-RING, S6           | 3                    |     |     |     |     |     |   |     |
| 44           | 2    | 129155-51280 | O-RING, S6           | 1                    |     |     |     |     |     |   |     |
| 45           | 2    | 128990-51190 | VALVE ASSY, DELIVERY | 3                    |     |     |     |     |     |   |     |
| I            | 45-1 | 2            | 128990-51300         | VALVE ASSY, DELIVERY | 3   |     |     |     |     |   | S 2 |
| (A=*2004.01) |      |              |                      |                      |     |     |     |     |     |   |     |
| 48           | 2    | 128990-51330 | SPRING, DELIVERY     | 3                    |     |     |     |     |     |   |     |
| 49           | 2    | 124550-51350 | GASKET, DELIVERY     | 3                    |     |     |     |     |     |   |     |
| 50           | 2    | 158600-51340 | VALVE ASSY, DELIVERY | 3                    |     |     |     |     |     |   |     |
| I            | 50-1 | 2            | 158600-51440         | VALVE ASSY, DELIVERY | 3   |     |     |     |     |   | S 2 |
| (A=*2004.01) |      |              |                      |                      |     |     |     |     |     |   |     |
| I            | 50-2 | 2            | 158600-51441         | VALVE ASSY, DELIVERY | 3   |     |     |     |     |   | N 2 |
| (A=*2004.07) |      |              |                      |                      |     |     |     |     |     |   |     |
| I            | 50-3 | 2            | 158600-51442         | VALVE ASSY, DELIVERY | 3   |     |     |     |     |   | N 2 |
| (A=*2005.09) |      |              |                      |                      |     |     |     |     |     |   |     |
| 56           | 2    | 118400-51370 | LOCKING              | 3                    |     |     |     |     |     |   |     |
| 57           | 2    | 24316-000150 | O-RING 4D P15        | 3                    |     |     |     |     |     |   |     |
| 58           | 2    | 129155-51400 | DEFLECTOR            | 1                    |     |     |     |     |     |   |     |
| 59           | 2    | 158600-51410 | PLUG, DEFLECTOR      | 1                    |     |     |     |     |     |   |     |
| 60           | 2    | 158600-51420 | PLUG, DEFLECTOR      | 1                    |     |     |     |     |     |   |     |
| 61           | 2    | 129155-51450 | SHIM SET, ADJUSTING  | 1                    |     |     |     |     |     |   |     |
| 66           | 2    | 119717-51500 | RACK, CONTROL        | 1                    |     |     |     |     |     |   |     |
| 67           | 2    | 129155-51521 | BUSH, RACK           | 1                    |     |     |     |     |     |   |     |
| 68           | 2    | 129155-51530 | SPACER, SPRING       | 1                    |     |     |     |     |     |   |     |
| 69           | 2    | 129155-51540 | CIRCLIP              | 1                    |     |     |     |     |     |   |     |
| 70           | 2    | 129155-51550 | PINION, CONTROL B    | 3                    |     |     |     |     |     |   |     |
| 72           | 2    | 129100-51570 | SCREW, PINION        | 3                    |     |     |     |     |     |   |     |
| 73           | 2    | 158600-51570 | PLUG                 | 1                    |     |     |     |     |     |   |     |
| 74           | 2    | 129155-51580 | O-RING               | 1                    |     |     |     |     |     |   |     |
| 75           | 2    | 129155-51591 | SPRING, RACK         | 1                    |     |     |     |     |     |   |     |
| 76           | 2    | 129155-51701 | COVER, BODY LOWER    | 1                    |     |     |     |     |     |   |     |
| 77           | 2    | 119717-51710 | GASKET, LOWER COVER  | 1                    |     |     |     |     |     |   |     |
| I            | 77-1 | 2            | 119717-51711         | GASKET, LOWER COVER  | 1   |     |     |     |     |   | N   |



# Fig.20. FUEL INJECTION PUMP

P/C NEWS No:Y00R5600-6  
PUBLISHED:2008/5



**Remarks**

(1)GOVERNOR(FIG.21)AND FUEL FEED PUMP (FIG.22) IS INCORPORATED IN THIS FUEL INJECTION PUMP(REF.NO.1).  
(2)INTERCHANGEABLE BY SIMULTANEOUS REPLACEMENT WITH REF.NO.45-1,50-1.

## OCR10-G56000 20. FUEL INJECTION PUMP

(A)=3YM30

(B)=

(C)=

(D)=

(E)=

(F)=

| REF.   | LEV. | PARTS NO.    | DESCRIPTION         | QTY |     |     |     |     |     | I | R |   |
|--------|------|--------------|---------------------|-----|-----|-----|-----|-----|-----|---|---|---|
|        |      |              |                     | (A) | (B) | (C) | (D) | (E) | (F) |   |   |   |
|        |      | (A=*2006.05) |                     |     |     |     |     |     |     |   |   |   |
| 78     | 2    | 119717-51750 | COVER, BODY SIDE    | 1   |     |     |     |     |     |   |   |   |
| 79     | 2    | 119717-51760 | GASKET, SIDE COVER  | 1   |     |     |     |     |     |   |   |   |
| I 79-1 | 2    | 119717-51761 | GASKET, SIDE COVER  | 1   |     |     |     |     |     |   |   | N |
|        |      | (A=*2006.05) |                     |     |     |     |     |     |     |   |   |   |
| 80     | 2    | 158600-51790 | STOOPER, RACK       | 1   |     |     |     |     |     |   |   |   |
| I 81   | 2    | 129156-51910 | LABEL, CAUTION      | 1   |     |     |     |     |     |   |   | Z |
|        |      | (A=*2006.05) |                     |     |     |     |     |     |     |   |   |   |
| 82     | 2    | 22190-160002 | WASHER, 16          | 1   |     |     |     |     |     |   |   |   |
| 83     | 2    | 22217-060000 | SPRING WASHER 6     | 2   |     |     |     |     |     |   |   |   |
| 84     | 2    | 22217-120000 | SPRING WASHER 12    | 1   |     |     |     |     |     |   |   |   |
| 85     | 2    | 22351-050010 | SPRING PIN 5X10     | 2   |     |     |     |     |     |   |   |   |
| 86     | 2    | 24101-060034 | BALL BEARING        | 1   |     |     |     |     |     |   |   |   |
| 87     | 2    | 24101-063034 | BALL BEARING        | 1   |     |     |     |     |     |   |   |   |
| 88     | 2    | 119717-51420 | O-RING              | 1   |     |     |     |     |     |   |   |   |
| 89     | 2    | 26022-050122 | SCREW M 5X 12       | 8   |     |     |     |     |     |   |   |   |
| 90     | 2    | 26022-060162 | SCREW M 6X 16       | 4   |     |     |     |     |     |   |   |   |
| 91     | 2    | 26106-050102 | BOLT M 5X 10 PLATED | 3   |     |     |     |     |     |   |   |   |
| 92     | 2    | 26716-060002 | NUT 6               | 2   |     |     |     |     |     |   |   |   |
| 93     | 2    | 26716-120002 | NUT 12              | 1   |     |     |     |     |     |   |   |   |
| 94     | 2    | 119717-51480 | COLLAR. FIC FIX     | 1   |     |     |     |     |     |   |   |   |
| 95     | 2    | 119717-51490 | BOLT                | 1   |     |     |     |     |     |   |   |   |

Fig.21. GOVERNOR

(A)=3YM30

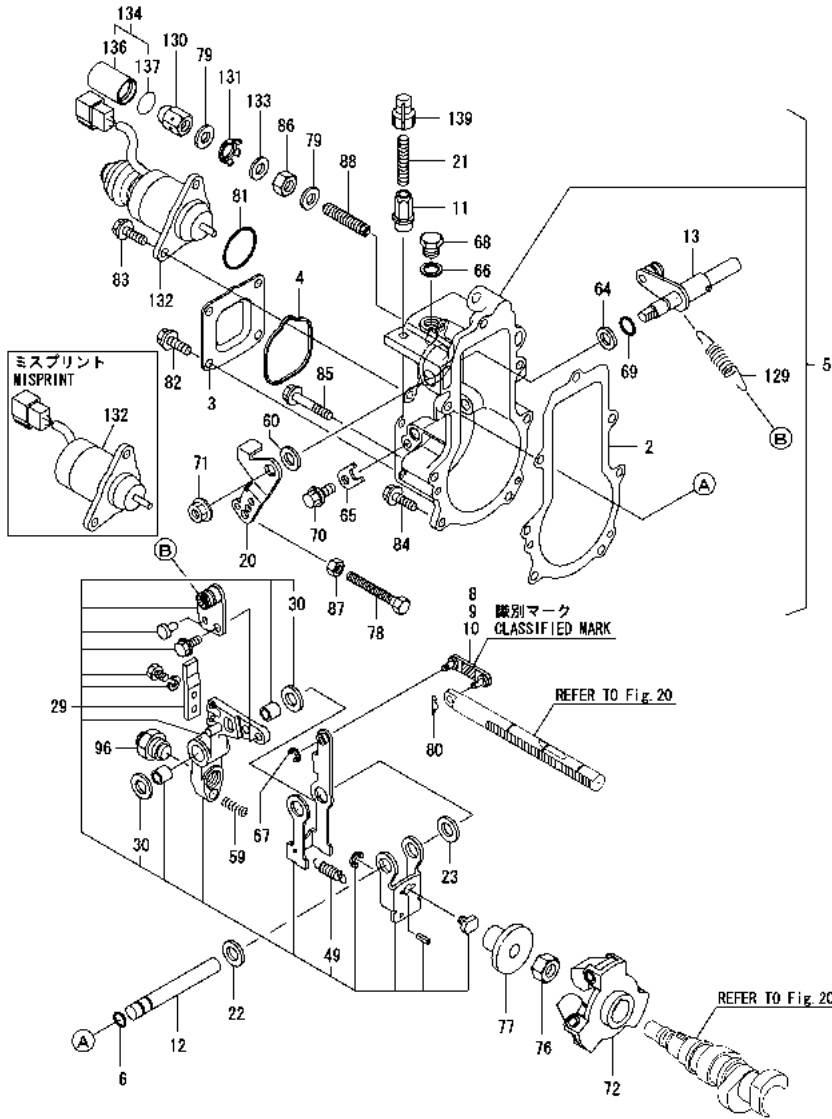
(B)=

(C)=

(D)=

(E)=

(F)=



Remarks

- (1)SELECTIVE PARTS:CERTAIN THE CLASSIFICATION MARK,THEN PLACE YOUR ORDER.(REF.TO.ILLUSTRATION)
- (2)REPAIR PART.

| REF.         | LEV. | PARTS NO.    | DESCRIPTION           | QTY |     |     |     |     |     | I | R |
|--------------|------|--------------|-----------------------|-----|-----|-----|-----|-----|-----|---|---|
|              |      |              |                       | (A) | (B) | (C) | (D) | (E) | (F) |   |   |
| 2            | 2    | 119717-61050 | GASKET, CASE          | 1   |     |     |     |     |     |   |   |
| 3            | 2    | 119717-61060 | COVER, GOVERNOR CASE  | 1   |     |     |     |     |     |   |   |
| 4            | 2    | 119717-61070 | GASKET, COVER         | 1   |     |     |     |     |     |   |   |
| 5            | 2    | 119717-61100 | CASE ASSY, GOVERNOR   | 1   |     |     |     |     |     |   |   |
| 6            | 3    | 129155-51280 | O-RING, S6            | 1   |     |     |     |     |     |   |   |
| 8            | 3    | 119717-61120 | LINK,CLASIFIEDDMARK:3 | 1   |     |     |     |     |     |   | 1 |
| 9            | 3    | 119717-61130 | LINK,CLASIFIEDDMARK98 | 1   |     |     |     |     |     |   | 1 |
| 10           | 3    | 119717-61140 | LINK,CLASIFIEDDMARK88 | 1   |     |     |     |     |     |   | 1 |
| 11           | 3    | 129209-61370 | NUT M6                | 1   |     |     |     |     |     |   |   |
| 12           | 3    | 129052-61390 | SHAFT,GOVERNOR LEVER  | 1   |     |     |     |     |     |   |   |
| 13           | 3    | 119717-61400 | SHAFT ASSY, CONTROL   | 1   |     |     |     |     |     |   |   |
| 20           | 3    | 119717-61440 | LEVER, CONTROL        | 1   |     |     |     |     |     |   |   |
| 21           | 3    | 129155-61450 | BOLT, LIMITER         | 1   |     |     |     |     |     |   |   |
| 22           | 3    | 129156-61460 | SHIM, T=0.6           | 1   |     |     |     |     |     |   |   |
| 23           | 3    | 129155-61480 | SPACER ASSY           | 1   |     |     |     |     |     |   |   |
| 29           | 3    | 119717-61500 | LEVER ASSY, GOVERNOR  | 1   |     |     |     |     |     |   |   |
| 30           | 4    | 174307-51700 | SHIM SET, ADJUSTING   | 2   |     |     |     |     |     |   |   |
| 49           | 4    | 129486-61540 | SPRING, SET           | 1   |     |     |     |     |     |   |   |
| 59           | 3    | 129100-61650 | SPRING, FUEL CONTROL  | 1   |     |     |     |     |     |   |   |
| 60           | 3    | 158552-61700 | SHIM SET, LEVER       | 1   |     |     |     |     |     |   |   |
| 64           | 3    | 158552-61710 | SHIM, T=1.0           | 1   |     |     |     |     |     |   |   |
| 65           | 3    | 119660-61901 | RETAINER, SHAFT       | 1   |     |     |     |     |     |   |   |
| 66           | 3    | 22190-100002 | WASHER, 10            | 1   |     |     |     |     |     |   |   |
| 67           | 3    | 22272-000030 | CIRCLIP E- 3          | 1   |     |     |     |     |     |   |   |
| 68           | 3    | 23887-100002 | PLUG 10               | 1   |     |     |     |     |     |   |   |
| 69           | 3    | 24341-000070 | O-RING, 1A S-7.0      | 1   |     |     |     |     |     |   |   |
| 70           | 3    | 26106-060102 | BOLT 6X 10 PLATED     | 1   |     |     |     |     |     |   |   |
| 71           | 3    | 26366-080002 | NUT M 8               | 1   |     |     |     |     |     |   |   |
| 72           | 2    | 119717-61200 | WEIGHT ASSY,GOVERNOR  | 1   |     |     |     |     |     |   |   |
| 76           | 2    | 119660-61300 | NUT, GOVERNOR WEIGHT  | 1   |     |     |     |     |     |   |   |
| 77           | 2    | 129155-61341 | SLEEVE(L=25.5         | 1   |     |     |     |     |     |   |   |
| 78           | 2    | 129155-61460 | BOLT, IDLE            | 1   |     |     |     |     |     |   |   |
| 79           | 2    | 22190-120002 | SEAL WASHER 12        | 2   |     |     |     |     |     |   |   |
| 80           | 2    | 22372-040000 | SNAP PIN 4            | 1   |     |     |     |     |     |   |   |
| 81           | 2    | 24341-000280 | O-RING 1A S-28.0      | 1   |     |     |     |     |     |   |   |
| 81-1         | 2    | 158552-61900 | O-RING                | 1   |     |     |     |     |     |   | N |
| (A=EXXXXX)   |      |              |                       |     |     |     |     |     |     |   |   |
| 82           | 2    | 26106-060102 | BOLT 6X 10 PLATED     | 4   |     |     |     |     |     |   |   |
| 83           | 2    | 26106-060142 | BOLT M 6X 14 PLATED   | 2   |     |     |     |     |     |   |   |
| 84           | 2    | 26106-060202 | BOLT M 6X 20 PLATED   | 4   |     |     |     |     |     |   |   |
| 85           | 2    | 26106-060452 | BOLT M 6X 45 PLATED   | 3   |     |     |     |     |     |   |   |
| 86           | 2    | 26736-120002 | NUT M12               | 1   |     |     |     |     |     |   |   |
| 87           | 2    | 26756-060002 | LOCK NUT 6            | 1   |     |     |     |     |     |   |   |
| 88           | 2    | 158601-61760 | LIMITER ASSY, FUEL    | 1   |     |     |     |     |     |   |   |
| 96           | 2    | 128990-61560 | ANGLEICH ASSY         | 1   |     |     |     |     |     |   |   |
| 129          | 2    | 129100-61730 | SPRING                | 1   |     |     |     |     |     |   |   |
| 129-1        | 2    | 119527-61700 | SPRING, GOVERNOR      | 1   |     |     |     |     |     |   | N |
| (A=*2007.04) |      |              |                       |     |     |     |     |     |     |   |   |
| 130          | 2    | 129209-61930 | CAP NUT               | 1   |     |     |     |     |     |   |   |
| 131          | 2    | 129209-61970 | PLATE                 | 1   |     |     |     |     |     |   |   |
| 132          | 2    | 129271-77950 | SOLENOID, STOP        | 1   |     |     |     |     |     |   |   |

Fig.21. GOVERNOR

(A)=3YM30

(B)=

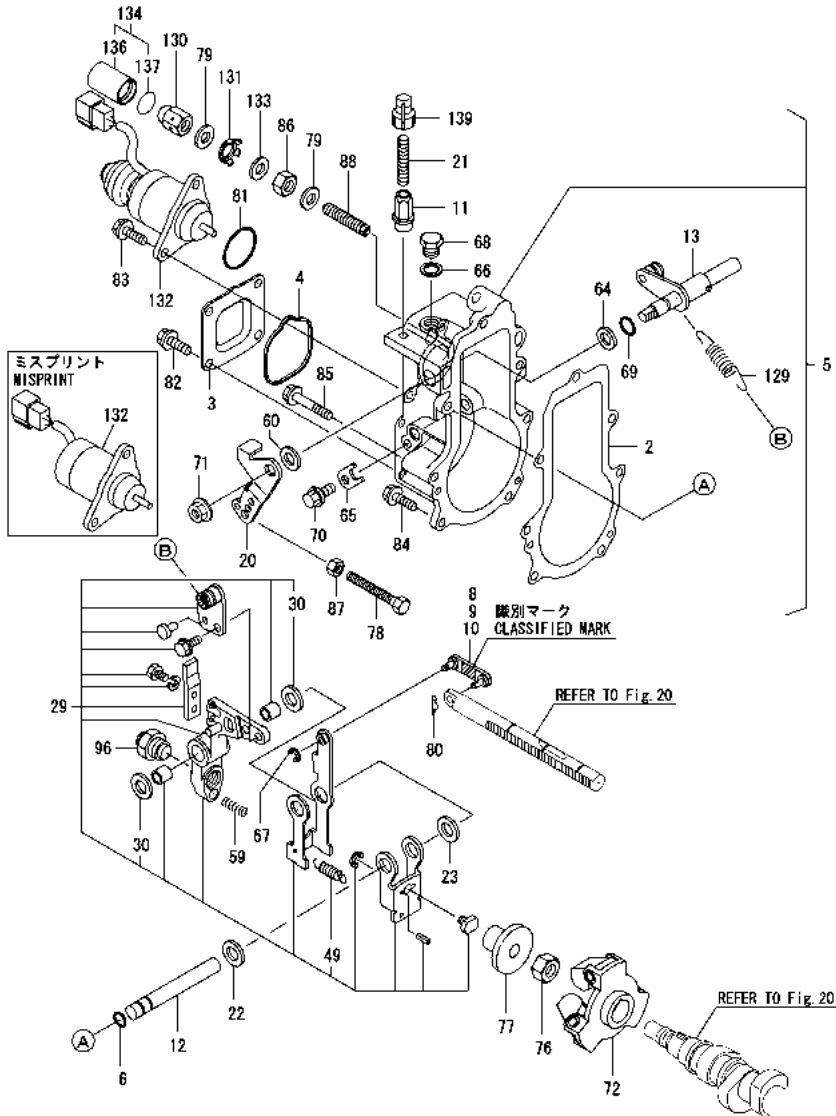
(C)=

(D)=

(E)=

(F)=

| REF. | LEV. | PARTS NO.    | DESCRIPTION      | QTY |     |     |     |     |     | I | R |
|------|------|--------------|------------------|-----|-----|-----|-----|-----|-----|---|---|
|      |      |              |                  | (A) | (B) | (C) | (D) | (E) | (F) |   |   |
| 133  | 2    | 23414-120016 | GASKET 12        | 1   |     |     |     |     |     |   |   |
| 134  | 1    | 129209-61940 | CASE ASSY        | 1   |     |     |     |     |     |   |   |
| 136  | 2    | 129209-61960 | CASE             | 1   |     |     |     |     |     |   | 2 |
| 137  | 2    | 24311-000150 | O-RING 1A P-15.0 | 1   |     |     |     |     |     |   |   |
| 139  | 1    | 119285-66650 | CAP, HIGH-IDLE   | 1   |     |     |     |     |     |   | 2 |



Remarks

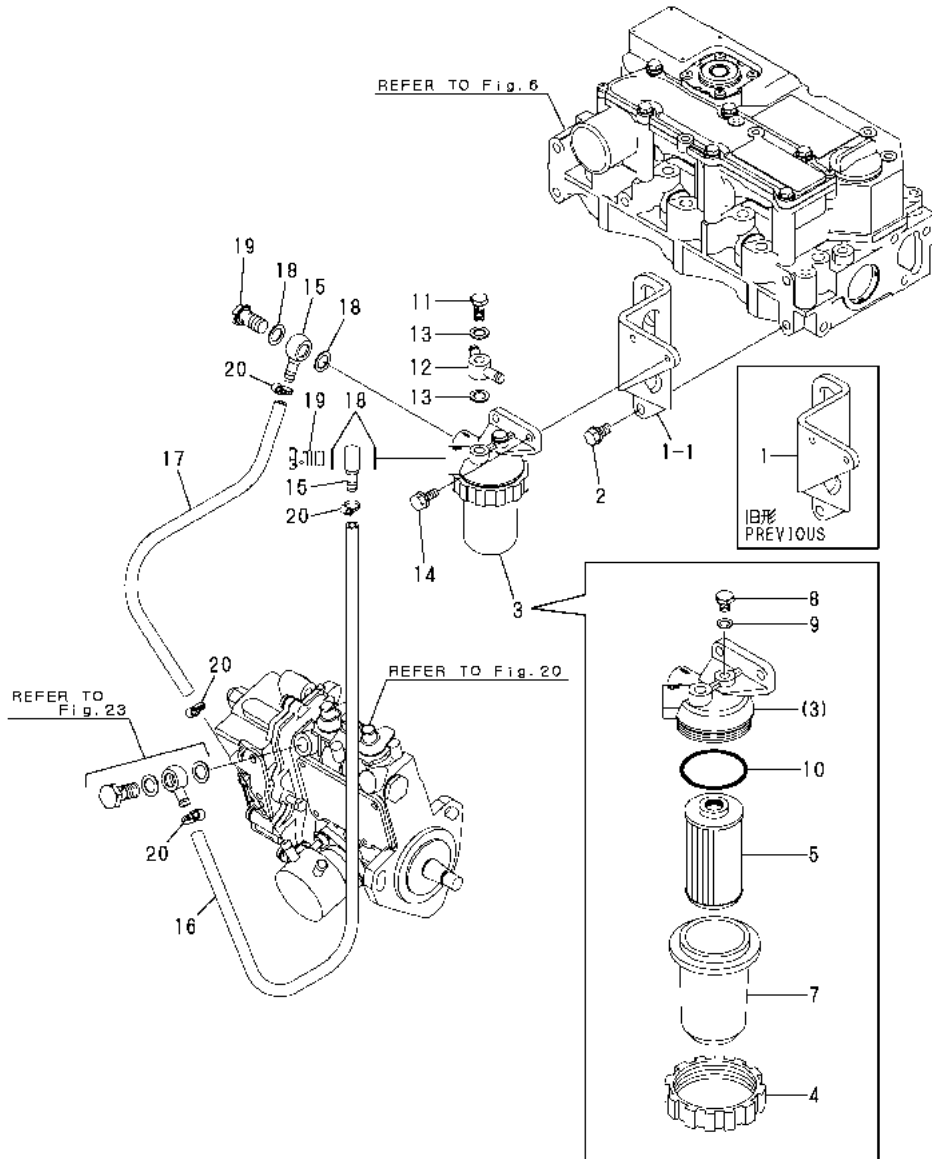
- (1)SELECTIVE PARTS:CERTAIN THE CLASSIFICATION MARK, THEN PLACE YOUR ORDER.(REF.TO.ILLUSTRATION)
- (2)REPAIR PART.





Fig.24. FUEL PIPE & FUEL STRAINER

P/C NEWS No:Y00R5600-3  
PUBLISHED:2004/11



OCR10-G56000 24. FUEL PIPE & FUEL STRAINER

(A)=3YM30

(B)=

(C)=

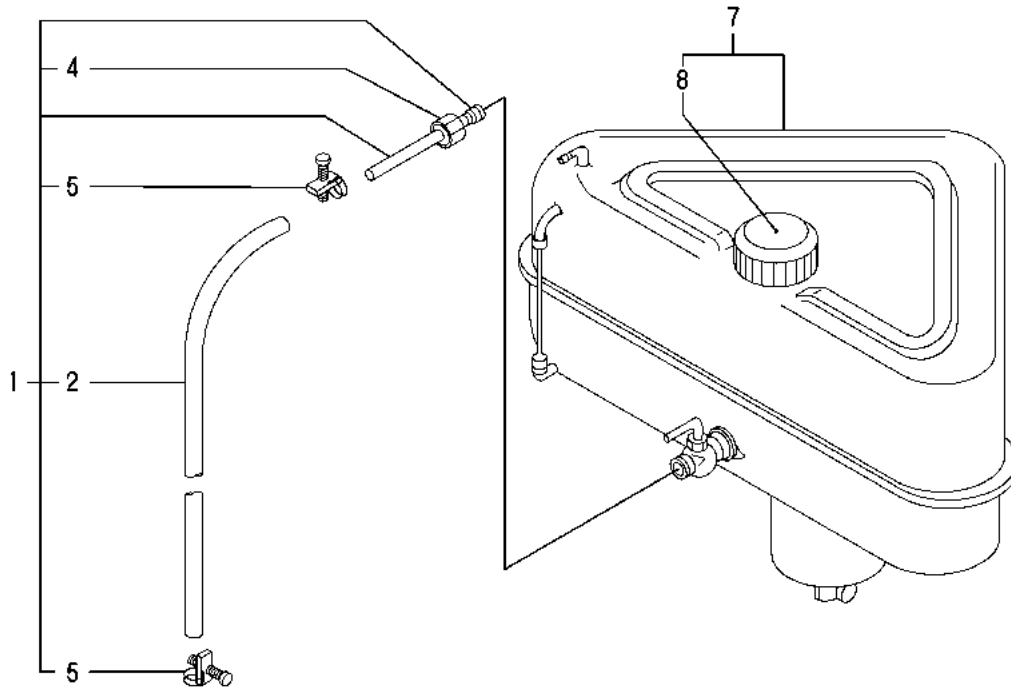
(D)=

(E)=

(F)=

| REF.         | LEV. | PARTS NO.    | DESCRIPTION         | QTY |     |     |     |     |     | I | R |
|--------------|------|--------------|---------------------|-----|-----|-----|-----|-----|-----|---|---|
|              |      |              |                     | (A) | (B) | (C) | (D) | (E) | (F) |   |   |
| 1            | 1    | 128990-55010 | BRACKET, FILTER     | 1   |     |     |     |     |     |   |   |
| I            | 1-1  | 128990-55011 | BRACKET, FILTER     | 1   |     |     |     |     |     |   | N |
| (A=*2004.11) |      |              |                     |     |     |     |     |     |     |   |   |
| 2            | 1    | 26106-080162 | BOLT M 8X 16 PLATED |     | 2   |     |     |     |     |   |   |
| 3            | 1    | 128990-55600 | STRAINER ASSY       |     | 1   |     |     |     |     |   |   |
| 4            | 2    | 110250-55610 | RING, RETAINING     |     | 1   |     |     |     |     |   |   |
| 5            | 2    | 104500-55710 | ELEMENT, STRAINER   |     | 1   |     |     |     |     |   |   |
| 7            | 2    | 121370-55730 | CUP, STRAINER       |     | 1   |     |     |     |     |   |   |
| 8            | 2    | 101720-55750 | PLUG 6              |     | 1   |     |     |     |     |   |   |
| 9            | 2    | 23418-060000 | GASKET 6, NYLON     |     | 1   |     |     |     |     |   |   |
| 10           | 2    | 24341-000440 | O-RING 1A S-44.0    |     | 1   |     |     |     |     |   |   |
| 11           | 1    | 128990-59150 | BOLT, JOINT M8      |     | 1   |     |     |     |     |   |   |
| 12           | 1    | 128990-59530 | JOINT, RETURN       |     | 1   |     |     |     |     |   |   |
| 13           | 1    | 22190-080002 | SEAL WASHER 8S      |     | 2   |     |     |     |     |   |   |
| 14           | 1    | 26013-060162 | BOLT M 6X 16        |     | 2   |     |     |     |     |   |   |
| 15           | 1    | 104264-59020 | JOINT 12, PIPE      |     | 2   |     |     |     |     |   |   |
| 16           | 1    | 119172-59201 | PIPE,FUEL           |     | 1   |     |     |     |     |   |   |
| 17           | 1    | 129470-59542 | PIPE, FUEL OIL      |     | 1   |     |     |     |     |   |   |
| 18           | 1    | 22190-120002 | SEAL WASHER 12      |     | 4   |     |     |     |     |   |   |
| 19           | 1    | 23857-060000 | JOINT BOLT 6,PIPE   |     | 2   |     |     |     |     |   |   |
| 20           | 1    | 23000-016000 | CLAMP 16            |     | 4   |     |     |     |     |   |   |

Fig.25. FUEL TANK(OPTIONAL)



OCR10-G56000 25. FUEL TANK(OPTIONAL)

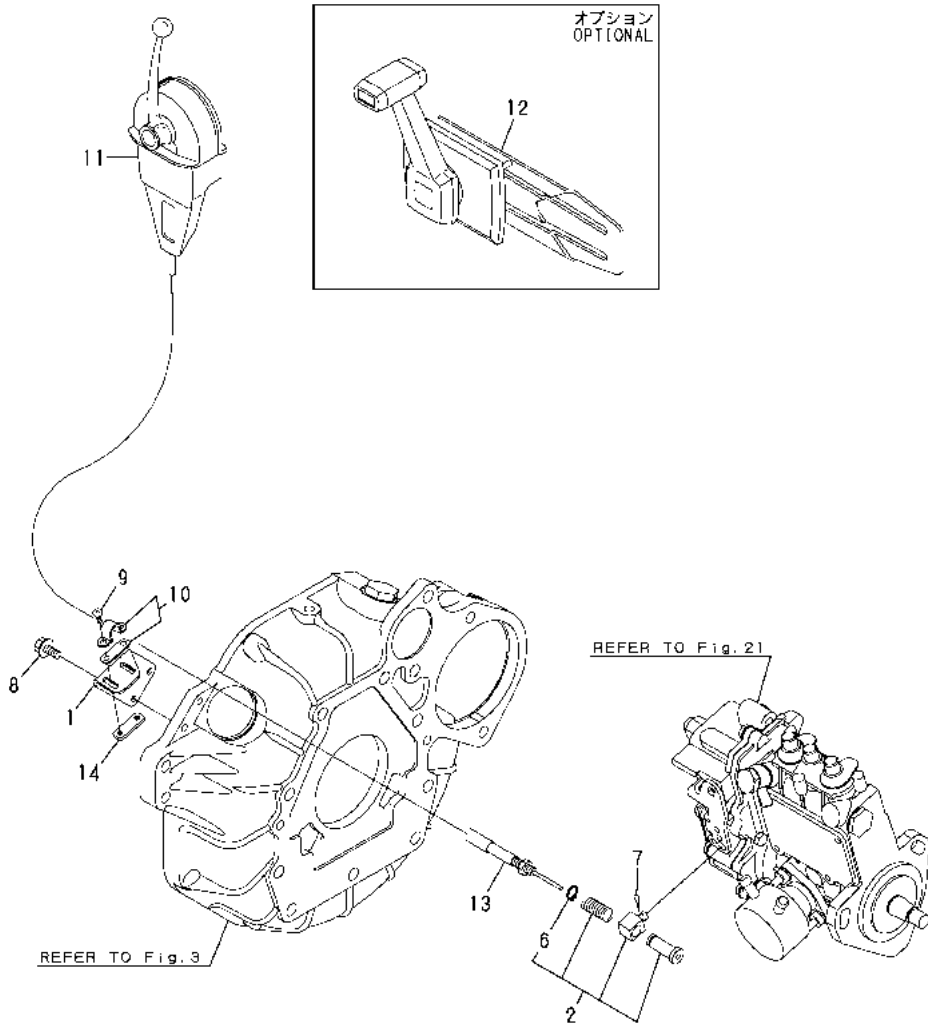
(A)=3YM30  
(B)=  
(C)=

(D)=  
(E)=  
(F)=

| REF. | LEV. | PARTS NO.    | DESCRIPTION         | Q'TY |     |     |     |     |     | I | R |  |
|------|------|--------------|---------------------|------|-----|-----|-----|-----|-----|---|---|--|
|      |      |              |                     | (A)  | (B) | (C) | (D) | (E) | (F) |   |   |  |
| 1    | 1    | 124070-59060 | PIPE ASSY, FUEL OIL | 1    |     |     |     |     |     |   |   |  |
| 2    | 2    | 124070-59130 | PIPE, FUEL OIL      | 1    |     |     |     |     |     |   |   |  |
| 4    | 2    | 138603-59380 | CAP NUT             | 1    |     |     |     |     |     |   |   |  |
| 5    | 2    | 23010-014000 | CLAMP 14            | 2    |     |     |     |     |     |   |   |  |
| 7    | 1    | 83213-003012 | TANK ASSY, FUEL OIL | 1    |     |     |     |     |     |   |   |  |
| 8    | 2    | 105430-55041 | CAP ASSY, FUEL TANK | 1    |     |     |     |     |     |   |   |  |

# Fig.26. CABLE SUPPORT

P/C NEWS No: Y00R5600-2  
PUBLISHED: 2004/7



## OCR10-G56000 26. CABLE SUPPORT

(A)=3YM30

(B)=

(C)=

(D)=

(E)=

(F)=

| REF. | LEV. | PARTS NO.    | DESCRIPTION         | QTY |     |     |     |     |     | I | R |
|------|------|--------------|---------------------|-----|-----|-----|-----|-----|-----|---|---|
|      |      |              |                     | (A) | (B) | (C) | (D) | (E) | (F) |   |   |
| 1    | 1    | 128990-67150 | BRACKET, CABLE      | 1   |     |     |     |     |     |   |   |
| 2    | 1    | 129470-67200 | RETAINER, JOINT     | 1   |     |     |     |     |     |   |   |
| 6    | 2    | 22242-000100 | CIRCLIP 10          | 1   |     |     |     |     |     |   |   |
| 7    | 1    | 22360-080000 | SNAP PIN 8          | 1   |     |     |     |     |     |   |   |
| 8    | 1    | 26106-060122 | BOLT M 6X 12 PLATED | 2   |     |     |     |     |     |   |   |
| 9    | 1    | 26557-050122 | SCREW, M5X12        | 2   |     |     |     |     |     |   |   |
| I    | 9-1  | 26557-050202 | SCREW M 5X 20       | 2   |     |     |     |     |     |   | R |
|      |      | (A=*2004.06) |                     |     |     |     |     |     |     |   |   |
| 10   | 1    | 41710-000410 | CLAMP               | 1   |     |     |     |     |     |   |   |
| 11   | 1    | 41730-000681 | MT-3 REMO-CON       | 1   |     |     |     |     |     |   |   |
| 12   | 1    | 128170-86501 | REMOCON HEAD (MN    | 1   |     |     |     |     |     |   |   |
| 13   | 1    | 41710-000380 | CABLE L=4000        | 2   |     |     |     |     |     |   |   |
| I    | 14   | 121574-86320 | RETAINER            | 1   |     |     |     |     |     |   | W |
|      |      | (A=*2004.06) |                     |     |     |     |     |     |     |   |   |



Fig.27. CLUTCH

(A)=3YM30  
(B)=  
(C)=

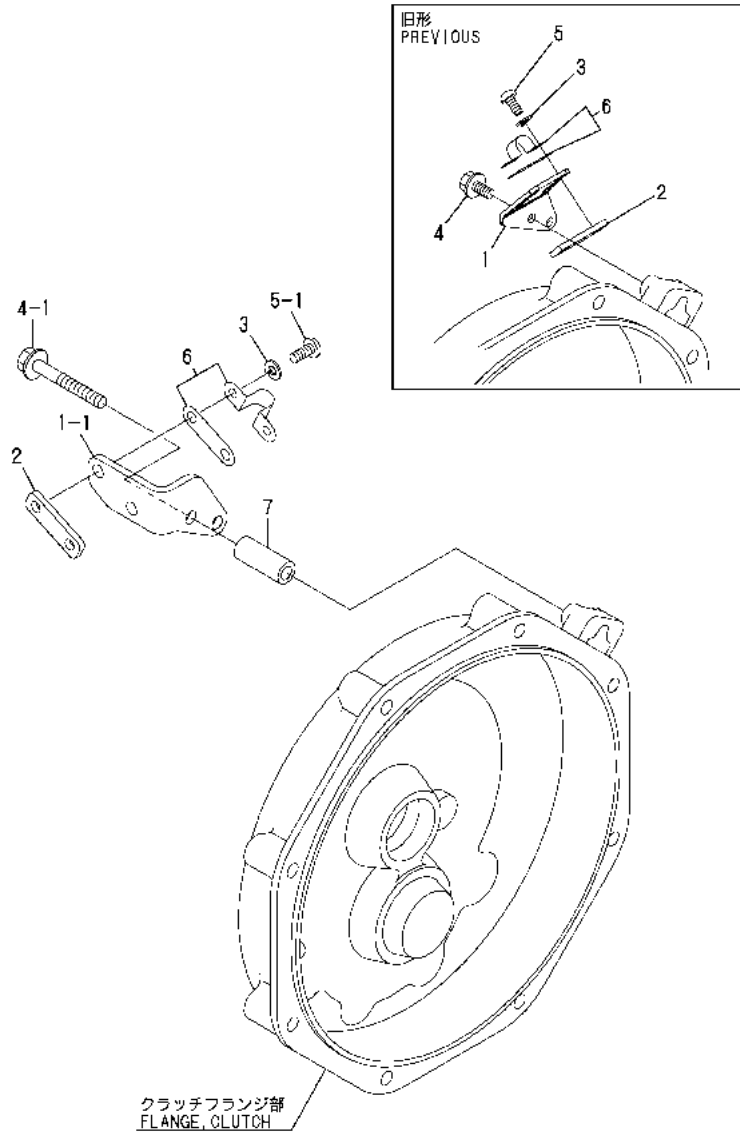
(D)=  
(E)=  
(F)=

| REF. | LEV. | PARTS NO.    | DESCRIPTION          | Q'TY |     |     |     |     |     | I | R |
|------|------|--------------|----------------------|------|-----|-----|-----|-----|-----|---|---|
|      |      |              |                      | (A)  | (B) | (C) | (D) | (E) | (F) |   |   |
| 1    | 1    | 128171-81310 | CLUTCH KM2P-1 I=2.21 | 1    |     |     |     |     |     |   |   |
| 2    | 1    | 128171-81320 | CLUTCH KM2P-1 I=2.62 | 1    |     |     |     |     |     |   |   |
| 3    | 1    | 128171-81330 | CLUTCH KM2P-1 I=3.22 | 1    |     |     |     |     |     |   |   |
| 4    | 1    | 26106-080422 | BOLT M 8X 42 PLATED  | 7    |     |     |     |     |     |   |   |
| 5    | 1    | 26216-080452 | STUD M 8X 45 PLATED  | 1    |     |     |     |     |     |   |   |
| 6    | 1    | 26366-080002 | NUT M 8              | 1    |     |     |     |     |     |   |   |

Remarks  
PARTS LISTED IN THIS FIGURE ARE NOT  
ILLUSTRATED.

Fig.28. CLUTCH REMOTE CONTROL

P/C NEWS No: Y00R5600-2  
 PUBLISHED: 2004/7



(A)=3YM30

(B)=

(C)=

(D)=

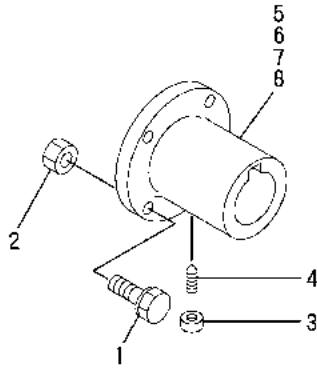
(E)=

(F)=

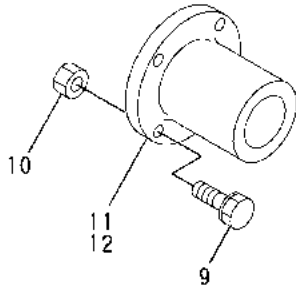
| REF.         | LEV. | PARTS NO.    | DESCRIPTION         | QTY           |     |     |     |     |     | I | R |
|--------------|------|--------------|---------------------|---------------|-----|-----|-----|-----|-----|---|---|
|              |      |              |                     | (A)           | (B) | (C) | (D) | (E) | (F) |   |   |
| 1            | 1    | 128990-86300 | BRACKET, CABLE      | 1             |     |     |     |     |     |   |   |
| 1-1          | 1    | 128990-86301 | BRACKET, CABLE      | 1             |     |     |     |     |     |   | N |
| (A=FROM 1ST) |      |              |                     |               |     |     |     |     |     |   |   |
| 2            | 1    | 121574-86320 | RETAINER            | 1             |     |     |     |     |     |   |   |
| 3            | 1    | 22212-050000 | WASHER 5            | 2             |     |     |     |     |     |   |   |
| 4            | 1    | 26106-060142 | BOLT M 6X 14 PLATED | 2             |     |     |     |     |     |   |   |
| 4-1          | 1    | 26106-060452 | BOLT M 6X 45 PLATED | 2             |     |     |     |     |     |   | N |
| (A=FROM 1ST) |      |              |                     |               |     |     |     |     |     |   |   |
| 5            | 1    | 26557-050122 | SCREW, M5X12        | 2             |     |     |     |     |     |   |   |
| I            | 5-1  | 1            | 26557-050202        | SCREW M 5X 20 | 2   |     |     |     |     |   | R |
| (A=*2004.06) |      |              |                     |               |     |     |     |     |     |   |   |
| 6            | 1    | 41710-000410 | CLAMP               | 1             |     |     |     |     |     |   |   |
| 7            | 1    | 128990-86350 | SPACER              | 2             |     |     |     |     |     |   | W |
| (A=FROM 1ST) |      |              |                     |               |     |     |     |     |     |   |   |

Fig.29. COUPLING(OPTIONAL)

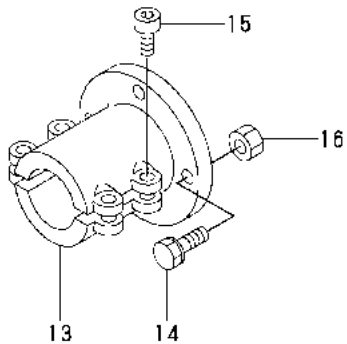
テーパカップリング  
TAPER COUPLING



ストレートカップリング  
STRAIGHT COUPLING



スリットカップリング  
SLIT COUPLING



(A)=3YM30

(B)=

(C)=

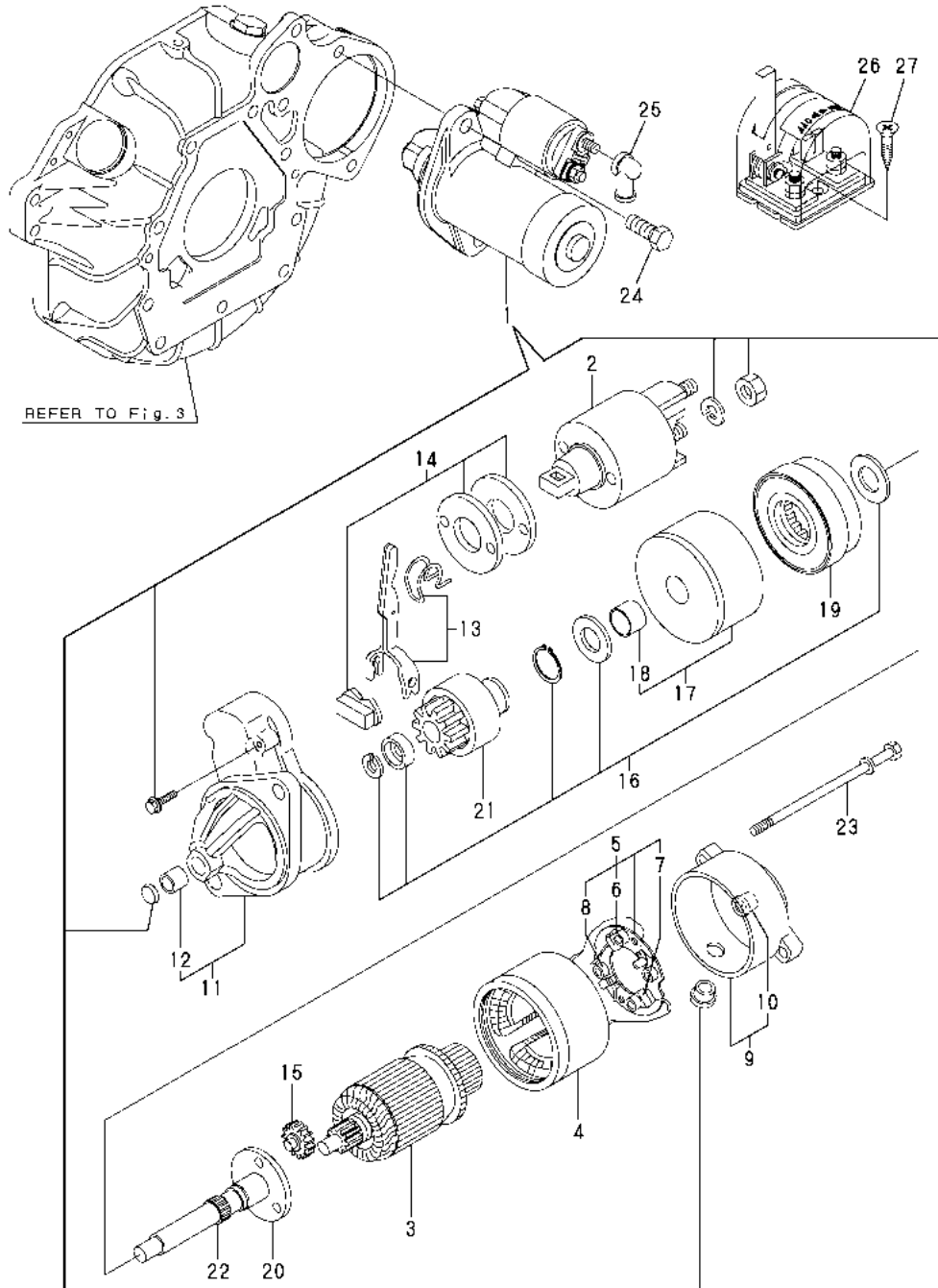
(D)=

(E)=

(F)=

| REF. | LEV. | PARTS NO.    | DESCRIPTION         | QTY |     |     |     |     |     | I | R |
|------|------|--------------|---------------------|-----|-----|-----|-----|-----|-----|---|---|
|      |      |              |                     | (A) | (B) | (C) | (D) | (E) | (F) |   |   |
| 1    | 1    | 26106-100322 | BOLT M10X 32 PLATED | 4   |     |     |     |     |     |   |   |
| 2    | 1    | 26706-100002 | NUT M10             | 4   |     |     |     |     |     |   |   |
| 3    | 1    | 26756-080002 | LOCK NUT M 8 PLATED | 1   |     |     |     |     |     |   |   |
| 4    | 1    | 48110-032411 | SCREW               | 1   |     |     |     |     |     |   |   |
| 5    | 1    | 48110-522361 | COUPLING, TAPER 22  | 1   |     |     |     |     |     |   |   |
| 6    | 1    | 48110-025063 | COUPLING, TAPER 25  | 1   |     |     |     |     |     |   |   |
| 7    | 1    | 48110-028063 | COUPLING 28, TAPER  | 1   |     |     |     |     |     |   |   |
| 8    | 1    | 48110-032502 | COUPLING, TAPER 30  | 1   |     |     |     |     |     |   |   |
| 9    | 1    | 26106-100322 | BOLT M10X 32 PLATED | 4   |     |     |     |     |     |   |   |
| 10   | 1    | 26706-100002 | NUT M10             | 4   |     |     |     |     |     |   |   |
| 11   | 1    | 45414-500260 | COUPLING            | 1   |     |     |     |     |     |   |   |
| 12   | 1    | 105583-85900 | COUPLING 22         | 1   |     |     |     |     |     |   |   |
| 13   | 1    | 104214-83980 | COUPLING            | 1   |     |     |     |     |     |   |   |
| 14   | 1    | 26106-100322 | BOLT M10X 32 PLATED | 4   |     |     |     |     |     |   |   |
| 15   | 1    | 26450-080282 | BOLT M 8X 28        | 4   |     |     |     |     |     |   |   |
| 16   | 1    | 26706-100002 | NUT M10             | 4   |     |     |     |     |     |   |   |

Fig.30. STARTING MOTOR



(A)=3YM30

(B)=

(C)=

(D)=

(E)=

(F)=

| REF. | LEV. | PARTS NO.    | DESCRIPTION          | QTY |     |     |     |     |     | I | R |
|------|------|--------------|----------------------|-----|-----|-----|-----|-----|-----|---|---|
|      |      |              |                      | (A) | (B) | (C) | (D) | (E) | (F) |   |   |
| 1    | 1    | 129608-77010 | STARTER              | 1   |     |     |     |     |     |   |   |
| 2    | 2    | 129698-77020 | MAGNETIC SWITCH ASSY | 1   |     |     |     |     |     |   |   |
| 3    | 2    | 129698-77101 | ARMATURE ASSY        | 1   |     |     |     |     |     |   |   |
| 4    | 2    | 129608-77110 | YOKE ASSY            | 1   |     |     |     |     |     |   |   |
| 5    | 2    | 129698-77120 | HOLDER ASSY, BRUSH   | 1   |     |     |     |     |     |   |   |
| 6    | 3    | 129698-77140 | BRUSH(+) SET         | 1   |     |     |     |     |     |   |   |
| 7    | 3    | 129698-77130 | BRUSH (-)            | 2   |     |     |     |     |     |   |   |
| 8    | 3    | 129698-77150 | SPRING, BRUSH        | 4   |     |     |     |     |     |   |   |
| 9    | 2    | 129698-77161 | COVER ASSY, REAR     | 1   |     |     |     |     |     |   |   |
| 10   | 3    | 129698-77170 | REAR COVER METAL     | 1   |     |     |     |     |     |   |   |
| 11   | 2    | 129698-77260 | HOUSING ASSY, GEARS  | 1   |     |     |     |     |     |   |   |
| 12   | 3    | X2114535200  | METAL, STARTER       | 1   |     |     |     |     |     |   |   |
| 13   | 2    | 129698-77270 | LEVER SET, SHIFT     | 1   |     |     |     |     |     |   |   |
| 14   | 2    | 129698-77280 | COVER ASSY, DUST     | 1   |     |     |     |     |     |   |   |
| 15   | 2    | 129698-77240 | GEAR                 | 3   |     |     |     |     |     |   |   |
| 16   | 2    | 129698-77250 | WASHER SET           | 1   |     |     |     |     |     |   |   |
| 17   | 2    | 129698-77180 | BRACKET              | 1   |     |     |     |     |     |   |   |
| 18   | 3    | 129698-77190 | BRACKET              | 1   |     |     |     |     |     |   |   |
| 19   | 2    | 129698-77200 | GEAR, INTERNAL       | 1   |     |     |     |     |     |   |   |
| 20   | 2    | 129698-77210 | BRACKET              | 1   |     |     |     |     |     |   |   |
| 21   | 2    | 129698-77220 | PINION ASSY          | 1   |     |     |     |     |     |   |   |
| 22   | 2    | 129698-77230 | SHAFT(PINION         | 1   |     |     |     |     |     |   |   |
| 23   | 2    | 124195-77770 | THROUGH BOLT         | 2   |     |     |     |     |     |   |   |
| 24   | 1    | 26116-120302 | BOLT M12X 30 PLATED  | 2   |     |     |     |     |     |   |   |
| 25   | 1    | 124550-77030 | COVER, TERMINAL      | 1   |     |     |     |     |     |   |   |
| 26   | 1    | 123310-77640 | SWITCH, BATTERY      | 1   |     |     |     |     |     |   |   |
| 27   | 1    | 22724-800380 | SCREW, M8X38         | 2   |     |     |     |     |     |   |   |

# Fig.31. GENERATOR

P/C NEWS No: Y00R5600-2  
PUBLISHED: 2004/7

(A)=3YM30

(B)=

(C)=

(D)=

(E)=

(F)=

QTY

| REF.         | LEV. | PARTS NO.    | DESCRIPTION          | QTY |     |     |     |     |     | I | R |
|--------------|------|--------------|----------------------|-----|-----|-----|-----|-----|-----|---|---|
|              |      |              |                      | (A) | (B) | (C) | (D) | (E) | (F) |   |   |
| 1            | 1    | 128271-77200 | GENERATOR 12V-60A    | 1   |     |     |     |     |     |   |   |
| 2            | 2    | 123900-77700 | ROTOR ASSY           | 1   |     |     |     |     |     |   |   |
| 3            | 2    | 129612-77710 | BALL BEARING         | 1   |     |     |     |     |     |   |   |
| 4            | 2    | 128271-77720 | BRACKET(STATOR+REGUL | 1   |     |     |     |     |     |   |   |
| 5            | 2    | 123900-77730 | FRONT BRACKET ASSY   | 1   |     |     |     |     |     |   |   |
| 6            | 2    | 128271-77740 | PULLEY               | 1   |     |     |     |     |     |   |   |
| 7            | 2    | 128271-77750 | SCREW KIT            | 1   |     |     |     |     |     |   |   |
| 8            | 1    | 119831-42290 | V-BELT A37.5         | 1   |     |     |     |     |     |   |   |
| I            | 8-1  | 129612-42290 | V-BELT               | 1   |     |     |     |     |     |   | R |
| (A=*2004.06) |      |              |                      |     |     |     |     |     |     |   |   |
| 9            | 1    | 128990-77310 | BRACKET, ALTERNATOR  | 1   |     |     |     |     |     |   |   |
| 10           | 1    | 128990-77330 | ADJUSTER, BELT       | 1   |     |     |     |     |     |   |   |
| 11           | 1    | 26106-080202 | BOLT M 8X 20 PLATED  | 1   |     |     |     |     |     |   |   |
| 12           | 1    | 26106-080202 | BOLT M 8X 20 PLATED  | 1   |     |     |     |     |     |   |   |
| 13           | 1    | 26106-080252 | BOLT M 8X 25 PLATED  | 1   |     |     |     |     |     |   |   |
| 14           | 1    | 26106-100252 | BOLT M10X 25 PLATED  | 2   |     |     |     |     |     |   |   |
| 15           | 1    | 26106-100302 | BOLT M10X 30 PLATED  | 1   |     |     |     |     |     |   |   |

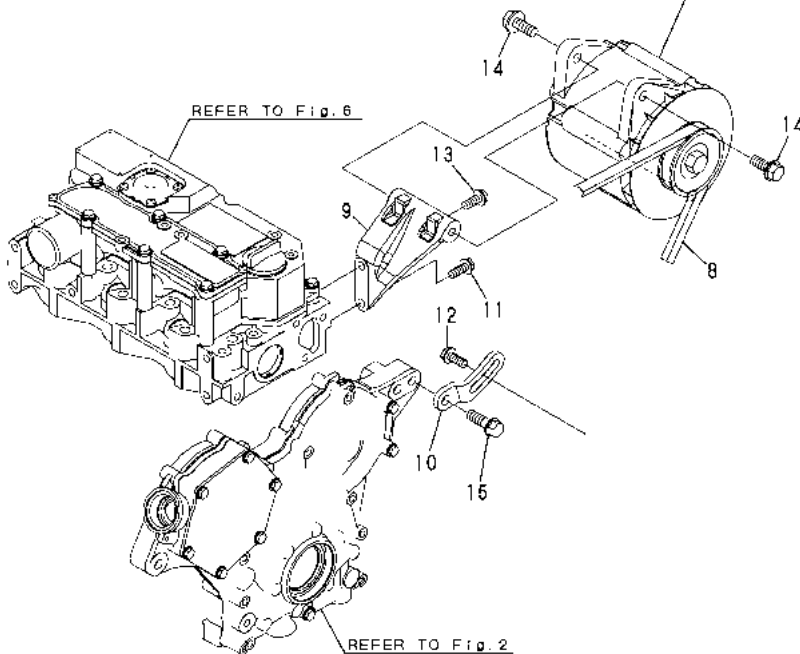
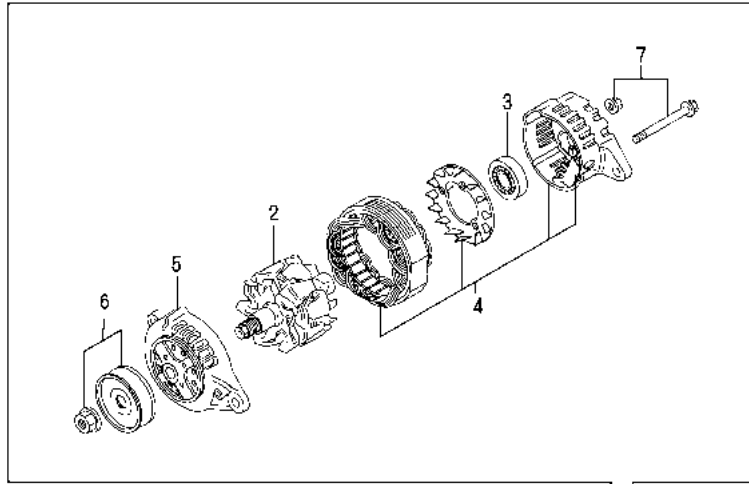


Fig.32. GENERATOR(80A/OPTIONAL)

(A)=3YM30

(B)=

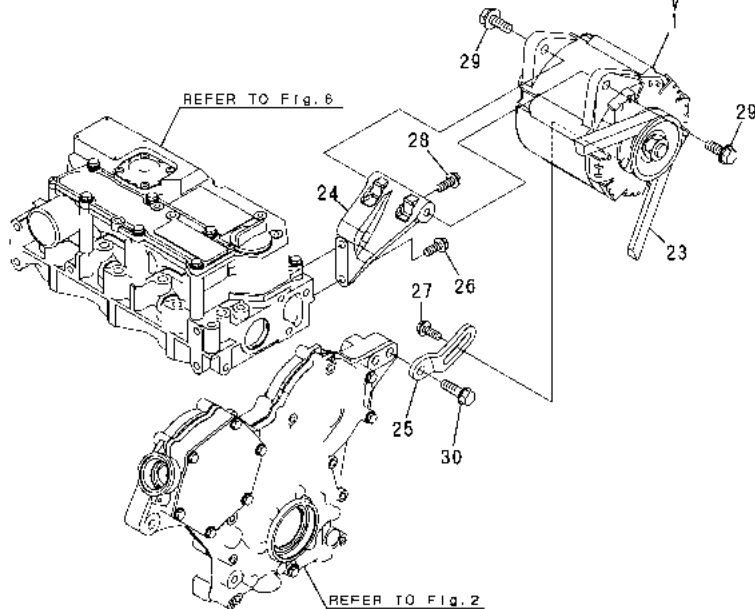
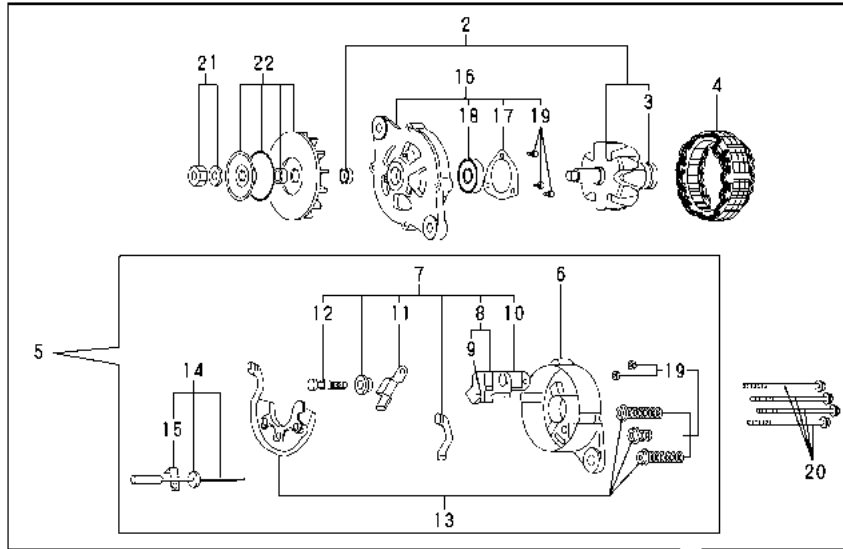
(C)=

(D)=

(E)=

(F)=

P/C NEWS No:Y00R5600-2  
PUBLISHED:2004/7

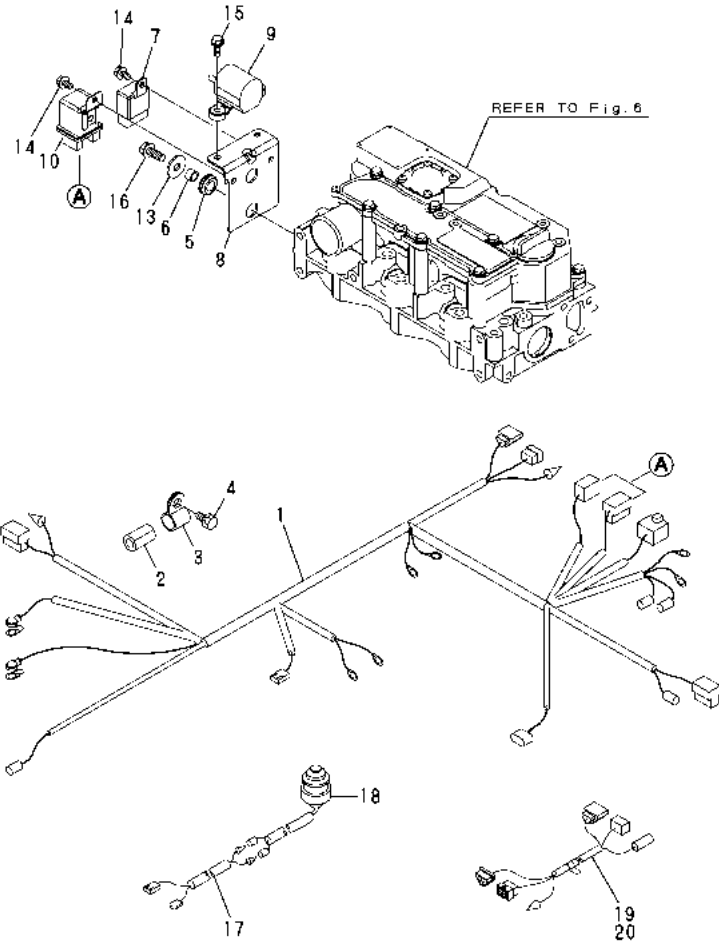


| REF.         | LEV. | PARTS NO.    | DESCRIPTION          | QTY |     |     |     |     |     | I | R |
|--------------|------|--------------|----------------------|-----|-----|-----|-----|-----|-----|---|---|
|              |      |              |                      | (A) | (B) | (C) | (D) | (E) | (F) |   |   |
| 1            | 1    | 119573-77201 | ALTERNATOR(12V-80A   | 1   |     |     |     |     |     |   |   |
| 2            | 2    | XL180G61000  | ROTOR ASSY           | 1   |     |     |     |     |     |   |   |
| 3            | 3    | 119129-77320 | BALL BEARING         | 1   |     |     |     |     |     |   |   |
| 4            | 2    | XL180120000  | STATOR ASSY          | 1   |     |     |     |     |     |   |   |
| 5            | 2    | XL180G63006  | COVER ASSY, REAR     | 1   |     |     |     |     |     |   |   |
| 6            | 3    | XL180G13012  | COVER, REAR          | 1   |     |     |     |     |     |   |   |
| 7            | 3    | XL180G43150  | BRUSH ASSY,REGULATOR | 1   |     |     |     |     |     |   |   |
| 8            | 4    | XL155G1330   | BRUSH ASSY           | 1   |     |     |     |     |     |   | 1 |
| 9            | 4    | XL225G1325   | BRUSH SET            | 2   |     |     |     |     |     |   |   |
| 10           | 4    | 124080-77390 | REGULATOR ASSY       | 1   |     |     |     |     |     |   |   |
| 11           | 4    | XL225431800  | CONDENSER            | 1   |     |     |     |     |     |   |   |
| 12           | 4    | 124080-77520 | BOLT M5              | 2   |     |     |     |     |     |   |   |
| 13           | 3    | XL1808320    | DIODE ASY            | 1   |     |     |     |     |     |   |   |
| 14           | 3    | 119129-77250 | WIRE                 | 1   |     |     |     |     |     |   |   |
| 15           | 4    | 119129-77260 | CLAMP, LEAD WIRE     | 1   |     |     |     |     |     |   |   |
| 16           | 2    | XL235340110  | COVER ASSY, FRONT    | 1   |     |     |     |     |     |   |   |
| 17           | 3    | XL150M14041  | RETAINER             | 1   |     |     |     |     |     |   |   |
| 18           | 3    | X6303BM0000  | BALL BEARING         | 1   |     |     |     |     |     |   |   |
| 19           | 3    | 119129-77930 | SCREW KIT            | 1   |     |     |     |     |     |   |   |
| 20           | 2    | 119129-77890 | BOLT, THROUGH        | 4   |     |     |     |     |     |   |   |
| 21           | 2    | 119129-77900 | NUT ASSY, PULLEY     | 1   |     |     |     |     |     |   |   |
| 22           | 2    | XL180G85001  | PULLEY ASSY          | 1   |     |     |     |     |     |   |   |
| 23           | 1    | 119831-42290 | V-BELT A37.5         | 1   |     |     |     |     |     |   |   |
| I 23-1       | 1    | 129612-42290 | V-BELT               | 1   |     |     |     |     |     |   | R |
| (A=*2004.06) |      |              |                      |     |     |     |     |     |     |   |   |
| 24           | 1    | 128990-77310 | BRACKET, ALTERNATOR  | 1   |     |     |     |     |     |   |   |
| 25           | 1    | 128990-77330 | ADJUSTER, BELT       | 1   |     |     |     |     |     |   |   |
| 26           | 1    | 26106-080202 | BOLT M 8X 20 PLATED  | 1   |     |     |     |     |     |   |   |
| 27           | 1    | 26106-080202 | BOLT M 8X 20 PLATED  | 1   |     |     |     |     |     |   |   |
| 28           | 1    | 26106-080252 | BOLT M 8X 25 PLATED  | 1   |     |     |     |     |     |   |   |
| 29           | 1    | 26106-100252 | BOLT M10X 25 PLATED  | 2   |     |     |     |     |     |   |   |
| 30           | 1    | 26106-100302 | BOLT M10X 30 PLATED  | 1   |     |     |     |     |     |   |   |

Remarks  
(1)INC.9

Fig.33. WIRE HARNESS & RELAY

P/C NEWS No:Y00R5600-2  
PUBLISHED:2004/7



(A)=3YM30

(B)=

(C)=

(D)=

(E)=

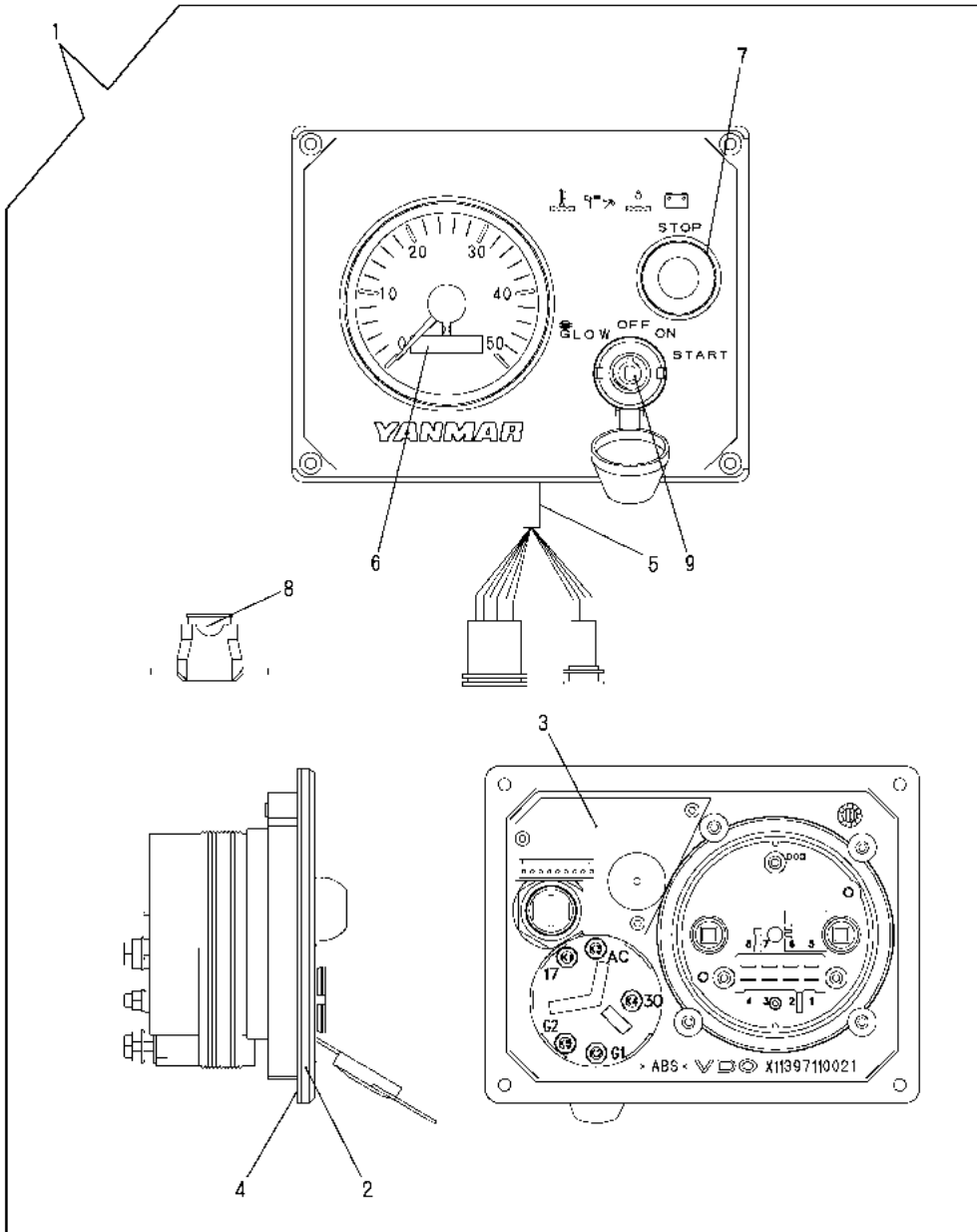
(F)=

| REF. | LEV. | PARTS NO.    | DESCRIPTION  | QTY             |                     |     |     |     |     | I | R |   |
|------|------|--------------|--------------|-----------------|---------------------|-----|-----|-----|-----|---|---|---|
|      |      |              |              | (A)             | (B)                 | (C) | (D) | (E) | (F) |   |   |   |
|      |      | 1            | 128990-77900 | HARNESS, WIRE   | 1                   |     |     |     |     |   |   |   |
| I    | 1-1  | 1            | 128990-77920 | HARNESS, WIRE   | 1                   |     |     |     |     |   |   | N |
|      |      | (A=*2003.12) |              |                 |                     |     |     |     |     |   |   |   |
|      |      | 2            | 124770-77940 | PROTECTOR       | 1                   |     |     |     |     |   |   |   |
|      |      | 3            | 124070-77950 | CLAMP, WIRE     | 1                   |     |     |     |     |   |   |   |
| I    | 3-1  | 1            | 121575-49310 | CLAMP           | 1                   |     |     |     |     |   |   | R |
|      |      | (A=*2004.06) |              |                 |                     |     |     |     |     |   |   |   |
|      |      | 4            | 1            | 26106-080142    | BOLT 8X 14 PLATED   | 1   |     |     |     |   |   |   |
|      |      | 5            | 1            | 105100-55501    | GROMMET             | 2   |     |     |     |   |   |   |
|      |      | 6            | 1            | 105100-55540    | COLLAR, FUEL TANK   | 2   |     |     |     |   |   |   |
| I    | 6-1  | 1            | 128990-77430 | COLLAR, BRACKET | 2                   |     |     |     |     |   |   | R |
|      |      | (A=*2004.05) |              |                 |                     |     |     |     |     |   |   |   |
|      |      | 7            | 1            | 119247-77100    | RELAY, SAFETY       | 1   |     |     |     |   |   |   |
|      |      | 8            | 1            | 128990-77400    | BRACKET, RELAY      | 1   |     |     |     |   |   |   |
| I    | 9    | 1            | 120270-77511 | RELAY, MAGNETIC | 1                   |     |     |     |     |   |   | Z |
|      |      | (A=EXXX)     |              |                 |                     |     |     |     |     |   |   |   |
| I    | 9-1  | 1            | 128990-77550 | RELAY, MAGNET   | 1                   |     |     |     |     |   |   | N |
|      |      | (A=EXXX)     |              |                 |                     |     |     |     |     |   |   |   |
|      |      | 10           | 1            | 128990-77910    | RELAY ASSY, GLOW    | 1   |     |     |     |   |   |   |
|      |      | 13           | 1            | 22157-080000    | WASHER 8            | 2   |     |     |     |   |   |   |
|      |      | 14           | 1            | 26106-060102    | BOLT 6X 10 PLATED   | 2   |     |     |     |   |   |   |
|      |      | 15           | 1            | 26106-060162    | BOLT M 6X 16 PLATED | 2   |     |     |     |   |   |   |
|      |      | 16           | 1            | 26106-080202    | BOLT M 8X 20 PLATED | 2   |     |     |     |   |   |   |
|      |      | 17           | 1            | 177074-06350    | HARNESS, WIRE       | 1   |     |     |     |   |   | 1 |
|      |      | 18           | 1            | 120270-77101    | SWITCH, SAFETY      | 1   |     |     |     |   |   | 1 |
|      |      | 19           | 1            | 128391-77700    | HARNESS, WIRE(3M    | 1   |     |     |     |   |   | 1 |
|      |      | 20           | 1            | 128391-77720    | HARNESS, WIRE       | 1   |     |     |     |   |   | 1 |

Remarks  
(1)OPTIONAL

Fig.34. INSTRUMENT PANEL(B-TYPE/OPTIONAL)

P/C NEWS No:Y00R5600-1  
PUBL(SHED:2003/9



OCR10-G56000 34. INSTRUMENT PANEL(B-TYPE/OPTIONAL)

(A)=3YM30

(B)=

(C)=

(D)=

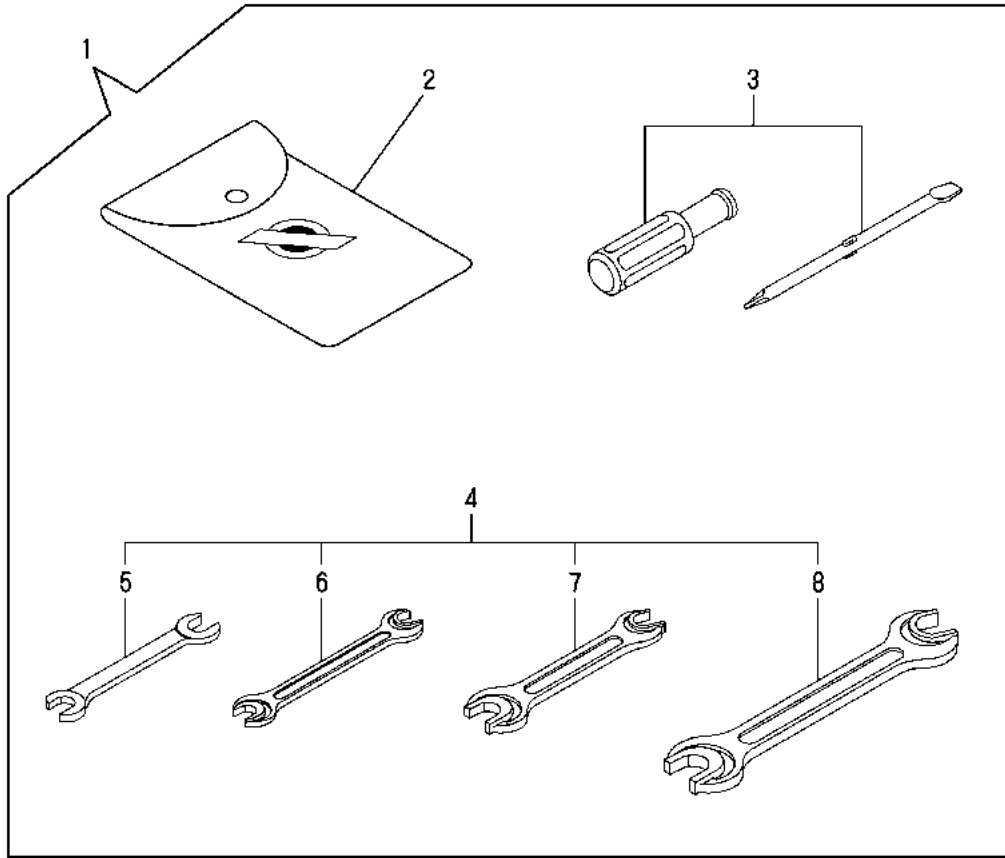
(E)=

(F)=

| REF. | LEV. | PARTS NO.    | DESCRIPTION          | QTY |     |     |     |     |     | I | R |
|------|------|--------------|----------------------|-----|-----|-----|-----|-----|-----|---|---|
|      |      |              |                      | (A) | (B) | (C) | (D) | (E) | (F) |   |   |
| 1    | 1    | 129271-91110 | PANEL, INSTRUMENT B  | 1   |     |     |     |     |     |   |   |
| 2    | 2    | 129271-91120 | PANEL, B             | 1   |     |     |     |     |     |   |   |
| 3    | 2    | 129271-91130 | CIRCUIT WITH LED&BZR | 1   |     |     |     |     |     |   |   |
| 4    | 2    | 129271-91140 | SEAL, RUBBER         | 1   |     |     |     |     |     |   |   |
| 5    | 2    | 129271-91150 | HARNES, B PANEL      | 1   |     |     |     |     |     |   |   |
| 6    | 2    | 129271-91210 | TACHOMETER           | 1   |     |     |     |     |     |   |   |
| 7    | 2    | 129271-91220 | SWITCH, STOP         | 1   |     |     |     |     |     |   |   |
| 8    | 2    | 129271-91230 | FUSE, PANEL (3A)     | 1   |     |     |     |     |     |   |   |
| 9    | 2    | 127412-91250 | SWITCH W/KEY         | 1   |     |     |     |     |     |   |   |



Fig.35. TOOL



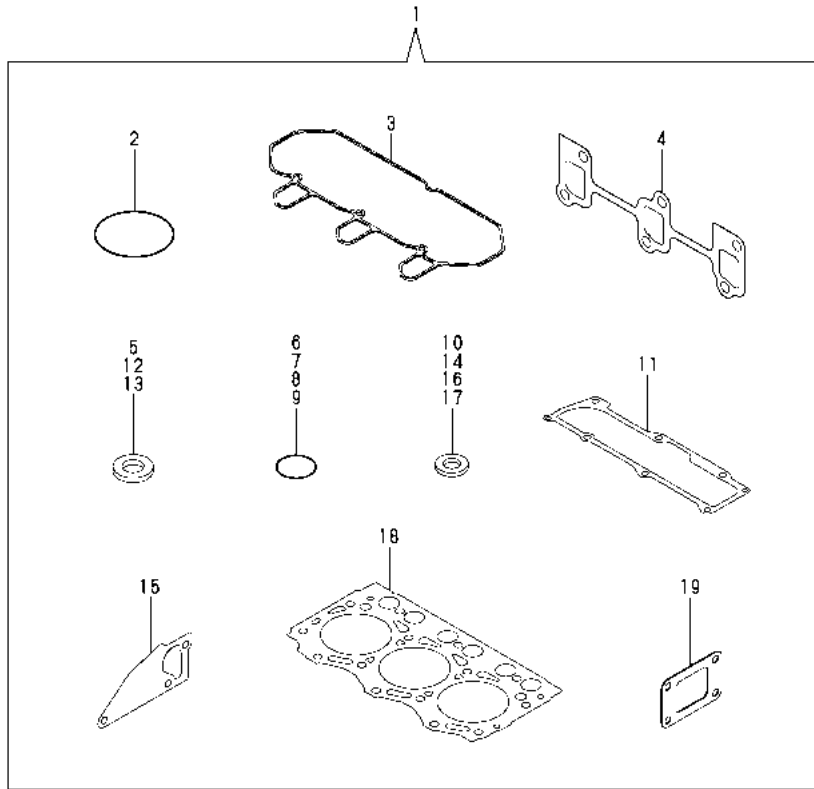
(A)=3YM30  
(B)=  
(C)=

(D)=  
(E)=  
(F)=

| REF. | LEV. | PARTS NO.    | DESCRIPTION   | Q'TY |     |     |     |     |     | I | R |
|------|------|--------------|---------------|------|-----|-----|-----|-----|-----|---|---|
|      |      |              |               | (A)  | (B) | (C) | (D) | (E) | (F) |   |   |
| 1    | 1    | 129270-92100 | TOOL KIT      | 1    |     |     |     |     |     |   |   |
| 2    | 2    | 129270-92600 | BAG, TOOL     | 1    |     |     |     |     |     |   |   |
| 3    | 2    | 129270-92650 | DRIVER        | 1    |     |     |     |     |     |   |   |
| 4    | 2    | 129270-92690 | WRENCH ASSY   | 1    |     |     |     |     |     |   |   |
| 5    | 3    | 129270-92610 | WRENCH, 10X13 | 1    |     |     |     |     |     |   |   |
| 6    | 3    | 129270-92620 | WRENCH, 12X14 | 1    |     |     |     |     |     |   |   |
| 7    | 3    | 129270-92630 | WRENCH, 17X19 | 1    |     |     |     |     |     |   |   |
| 8    | 3    | 129270-92640 | WRENCH, 22X24 | 1    |     |     |     |     |     |   |   |

Fig.36. GASKET SET(OPTIONAL)

P/C NEWS No : Y00R5600-4  
 PUBLISHED : 2004/12



OCR10-G56000 36. GASKET SET(OPTIONAL)

(A)=3YM30  
 (B)=  
 (C)=

(D)=  
 (E)=  
 (F)=

| REF. | LEV. | PARTS NO.    | DESCRIPTION          | QTY |     |     |     |     |     | I | R |
|------|------|--------------|----------------------|-----|-----|-----|-----|-----|-----|---|---|
|      |      |              |                      | (A) | (B) | (C) | (D) | (E) | (F) |   |   |
| 1    | 1    | 728990-92600 | GASKET SET           | 1   |     |     |     |     |     |   |   |
| 2    | 2    | 121850-51960 | O-RING, F.I.PUMP     | 1   |     |     |     |     |     |   |   |
| 3    | 2    | 119718-11310 | GASKET, BONNET       | 1   |     |     |     |     |     |   |   |
| 4    | 2    | 119717-13110 | GASKET, MANIFOLD     | 1   |     |     |     |     |     |   |   |
| 5    | 2    | 22190-080002 | SEAL WASHER 8S       | 6   |     |     |     |     |     |   |   |
| 6    | 2    | 24311-000320 | O-RING 1A P-32.0     | 2   |     |     |     |     |     |   |   |
| 7    | 2    | 119717-32060 | O-RING, P15.0        | 1   |     |     |     |     |     |   |   |
| 8    | 2    | 119624-32040 | O-RING P 12.0        | 1   |     |     |     |     |     |   |   |
| 9    | 2    | 119717-32050 | O-RING, P17.0        | 3   |     |     |     |     |     |   |   |
| 10   | 2    | 119600-11460 | GASKET, NOZZLE       | 6   |     |     |     |     |     |   |   |
| 11   | 2    | 119717-11331 | GASKET, BONNET COVER | 1   |     |     |     |     |     |   |   |
| 12   | 2    | 22190-160002 | WASHER, 16           | 2   |     |     |     |     |     |   |   |
| 13   | 2    | 22190-120002 | SEAL WASHER 12       | 8   |     |     |     |     |     |   |   |
| 14   | 2    | 129901-59560 | GASKET, RETURN       | 3   |     |     |     |     |     |   |   |
| 15   | 2    | 119717-42020 | GASKET, WATER PUMP   | 1   |     |     |     |     |     |   |   |
| 16   | 2    | 23414-080000 | GASKET 8, ROUND      | 1   |     |     |     |     |     |   |   |
| 17   | 2    | 124465-44950 | GASKET, 16           | 2   |     |     |     |     |     |   |   |
| 18   | 2    | 119717-01330 | GASKET, HEAD         | 1   |     |     |     |     |     |   |   |
| 19   | 2    | 128370-13201 | GASKET, (NON-ASB.)   | 1   |     |     |     |     |     |   |   |

Remarks  
 THIS FIGURE IS NEWLY ADDED.



## Part Number Index

All parts are stipulated in the order of part numbers.

(Depending on the area in which the part is used.)

This index will display the location of the part according to each part number.

## PARTS No. INDEX

| PARTS No.    | Fig. | Ref.No. |
|--------------|------|---------|
| 101304-59020 | 23   | 43      |
| 101720-55750 | 24   | 8       |
| 103854-39140 | 23   | 42      |
| 104214-13580 | 8    | 10      |
| 104214-83980 | 29   | 13      |
| 104264-59020 | 24   | 15      |
| 104500-55710 | 24   | 5       |
| 104511-78780 | 13   | 26 -1   |
| 105010-11490 | 6    | 5       |
| 105100-55501 | 33   | 5       |
| 105100-55540 | 33   | 6       |
| 105311-01090 | 1    | 7       |
| 105430-55041 | 25   | 8       |
| 105583-85900 | 29   | 12      |
| 110250-55610 | 24   | 4       |
| 114250-39450 | 12   | 6       |
| 118200-53010 | 23   | 2       |
| 118400-51370 | 20   | 56      |
| 119129-77250 | 32   | 14      |
| 119129-77260 | 32   | 15      |
| 119129-77320 | 32   | 3       |
| 119129-77890 | 32   | 20      |
| 119129-77900 | 32   | 21      |
| 119129-77930 | 32   | 19      |
| 119172-59201 | 24   | 16      |
| 119247-77100 | 33   | 7       |
| 119285-01990 | 1    | 9       |
| 119285-11990 | 6    | 14      |
| 119285-66650 | 21   | 139     |
| 119305-35150 | 12   | 2       |
| 119309-59590 | 23   | 44      |
| 119515-53000 | 23   | 1       |
| 119515-53010 | 23   | 3       |
| 119527-61700 | 21   | 129 -1  |
| 119573-77201 | 32   | 1       |
| 119600-11460 | 6    | 4       |
|              | 36   | 10      |
| 119620-01750 | 3    | 4       |
| 119620-01800 | 2    | 17      |
| 119620-02020 | 1    | 10      |
| 119620-11280 | 6    | 29      |
| 119620-14200 | 9    | 1       |
| 119620-21941 | 10   | 14      |
| 119620-49290 | 14   | 29      |
| 119620-59700 | 23   | 31      |
| 119621-21680 | 10   | 13      |
| 119623-01250 | 1    | 8       |
| 119624-32040 | 2    | 19      |
|              | 36   | 8       |
| 119660-01911 | 2    | 18      |

| PARTS No.    | Fig. | Ref.No. |
|--------------|------|---------|
| 119660-61300 | 21   | 76      |
| 119660-61901 | 21   | 65      |
| 119717-01330 | 1    | 31      |
|              | 36   | 18      |
| 119717-01501 | 2    | 1       |
| 119717-01521 | 2    | 5       |
| 119717-01570 | 2    | 3       |
| 119717-01590 | 2    | 4       |
| 119717-01720 | 3    | 7       |
| 119717-01750 | 2    | 16      |
| 119717-02410 | 1    | 13      |
| 119717-03031 | 6    | 39      |
| 119717-03070 | 6    | 40      |
|              |      | 41      |
| 119717-11100 | 6    | 16      |
| 119717-11110 | 6    | 17      |
| 119717-11131 | 6    | 18      |
| 119717-11190 | 6    | 20      |
| 119717-11200 | 6    | 24      |
| 119717-11240 | 6    | 25      |
| 119717-11260 | 6    | 28      |
| 119717-11320 | 6    | 50      |
| 119717-11331 | 6    | 51      |
|              | 36   | 11      |
| 119717-11340 | 6    | 21      |
| 119717-11350 | 6    | 22      |
| 119717-11381 | 6    | 38      |
| 119717-11650 | 6    | 30      |
| 119717-11740 | 6    | 6       |
| 119717-11800 | 6    | 12      |
| 119717-13110 | 15   | 1       |
|              | 36   | 4       |
| 119717-14400 | 9    | 2       |
| 119717-14580 | 9    | 3       |
| 119717-21700 | 10   | 1       |
| 119717-22300 | 10   | 22      |
| 119717-22500 | 10   | 18      |
| 119717-22550 | 10   | 34      |
| 119717-23000 | 10   | 24      |
| 119717-23200 | 10   | 28      |
| 119717-23600 | 10   | 29      |
| 119717-23610 | 10   | 40      |
| 119717-23910 | 10   | 27      |
| 119717-25050 | 9    | 10      |
| 119717-25100 | 9    | 11      |
| 119717-25930 | 9    | 16      |
| 119717-32050 | 2    | 20      |
|              | 36   | 9       |
| 119717-32060 | 12   | 3       |
|              | 36   | 7       |

| PARTS No.    | Fig. | Ref.No. |
|--------------|------|---------|
| 119717-32080 | 2    | 8       |
| 119717-32100 | 2    | 7       |
| 119717-32110 | 2    | 12      |
| 119717-32120 | 2    | 13      |
| 119717-39210 | 12   | 7       |
| 119717-42002 | 14   | 1       |
| 119717-42020 | 14   | 13      |
|              | 36   | 15      |
| 119717-42031 | 14   | 4       |
| 119717-42041 | 14   | 3       |
| 119717-42320 | 14   | 11      |
| 119717-51030 | 20   | 6       |
| 119717-51060 | 20   | 7       |
| 119717-51070 | 20   | 8       |
| 119717-51150 | 20   | 14      |
| 119717-51180 | 20   | 16      |
| 119717-51190 | 20   | 17      |
| 119717-51200 | 20   | 18      |
| 119717-51420 | 20   | 88      |
| 119717-51480 | 20   | 94      |
| 119717-51490 | 20   | 95      |
| 119717-51500 | 20   | 66      |
| 119717-51570 | 20   | 16 -1   |
| 119717-51710 | 20   | 77      |
| 119717-51711 | 20   | 77 -1   |
| 119717-51750 | 20   | 78      |
| 119717-51760 | 20   | 79      |
| 119717-51761 | 20   | 79 -1   |
| 119717-59510 | 23   | 22      |
| 119717-59810 | 23   | 9       |
| 119717-59820 | 23   | 13      |
| 119717-59830 | 23   | 17      |
| 119717-61050 | 21   | 2       |
| 119717-61060 | 21   | 3       |
| 119717-61070 | 21   | 4       |
| 119717-61100 | 21   | 5       |
| 119717-61120 | 21   | 8       |
| 119717-61130 | 21   | 9       |
| 119717-61140 | 21   | 10      |
| 119717-61200 | 21   | 72      |
| 119717-61400 | 21   | 13      |
| 119717-61440 | 21   | 20      |
| 119717-61500 | 21   | 29      |
| 119717-77800 | 6    | 58      |
| 119718-11310 | 6    | 49      |
|              | 36   | 3       |
| 119718-22080 | 10   | 16      |
| 119718-22090 | 10   | 32      |
| 119740-42350 | 14   | 26      |
| 119740-51100 | 20   | 10      |

| PARTS No.    | Fig. | Ref.No. |
|--------------|------|---------|
| 119773-59511 | 23   | 29      |
| 119802-03100 | 6    | 42      |
| 119802-03110 | 6    | 43      |
| 119802-03121 | 6    | 44      |
| 119802-03131 | 6    | 45      |
| 119802-03141 | 6    | 46      |
| 119802-32130 | 2    | 14      |
| 119810-01200 | 1    | 30      |
| 119810-02930 | 1    | 27      |
| 119810-02940 | 1    | 32      |
| 119813-59950 | 23   | 32      |
| 119831-42290 | 31   | 8       |
|              | 32   | 23      |
| 119840-59570 | 23   | 21      |
| 120270-67120 | 37   | 3       |
| 120270-77101 | 33   | 18      |
| 120270-77511 | 33   | 9       |
| 121111-21501 | 10   | 7       |
| 121120-01620 | 3    | 3       |
| 121370-55730 | 24   | 7       |
| 121450-42450 | 3    | 10 -1   |
| 121574-86320 | 26   | 14      |
|              | 28   | 2       |
| 121575-49310 | 16   | 4       |
|              | 33   | 3 -1    |
| 121850-51960 | 2    | 21      |
|              | 36   | 2       |
| 122710-51090 | 20   | 9       |
| 123310-77640 | 30   | 26      |
| 123682-07852 | 5    | 4       |
| 123900-77700 | 31   | 2       |
| 123900-77730 | 31   | 5       |
| 124060-01050 | 1    | 6       |
| 124070-13300 | 8    | 7       |
| 124070-13520 | 8    | 6       |
| 124070-42400 | 13   | 7       |
| 124070-59060 | 25   | 1       |
| 124070-59130 | 25   | 2       |
| 124070-77950 | 33   | 3       |
| 124080-77390 | 32   | 10      |
| 124080-77520 | 32   | 12      |
| 124085-02220 | 3    | 5       |
| 124101-49530 | 14   | 17      |
| 124160-01751 | 2    | 29      |
|              | 6    | 37      |
| 124160-01910 | 1    | 5       |
| 124195-77770 | 30   | 23      |
| 124223-49050 | 16   | 6       |
| 124465-44950 | 3    | 13 -1   |
|              |      | 13 -2   |

## PARTS No. INDEX

| PARTS No.    | Fig. | Ref.No. |
|--------------|------|---------|
| 124465-44950 | 14   | 21      |
|              |      | 22      |
|              |      | 32      |
|              |      | 36      |
|              | 36   | 17      |
| 124550-51350 | 20   | 49      |
| 124550-77030 | 30   | 25      |
| 124770-77940 | 33   | 2       |
| 124950-21600 | 10   | 11      |
| 124976-34850 | 11   | 7       |
| 127412-91250 | 34   | 9       |
| 128170-13600 | 8    | 3       |
| 128170-86501 | 26   | 12      |
| 128171-81310 | 27   | 1       |
| 128171-81320 | 27   | 2       |
| 128171-81330 | 27   | 3       |
| 128270-12540 | 7    | 5       |
| 128271-77200 | 31   | 1       |
| 128271-77720 | 31   | 4       |
| 128271-77740 | 31   | 6       |
| 128271-77750 | 31   | 7       |
| 128275-39710 | 12   | 12      |
| 128296-07190 | 5    | 11      |
| 128296-07400 | 5    | 12      |
| 128296-07420 | 5    | 13      |
| 128296-07450 | 5    | 14      |
| 128296-07460 | 5    | 15      |
| 128370-13201 | 8    | 1       |
|              |      | 5       |
|              | 36   | 19      |
| 128370-13610 | 8    | 11      |
| 128370-59040 | 23   | 40      |
| 128377-07150 | 5    | 1       |
| 128377-07260 | 5    | 2       |
| 128377-07350 | 5    | 3       |
| 128377-08120 | 4    | 3       |
| 128377-08130 | 4    | 4       |
| 128377-08340 | 4    | 7       |
| 128377-08350 | 4    | 8       |
|              |      | 9       |
| 128391-77700 | 33   | 19      |
| 128391-77720 | 33   | 20      |
| 128397-13530 | 8    | 2       |
| 128397-42200 | 13   | 22      |
| 128397-44500 | 15   | 22      |
| 128397-44510 | 15   | 24      |
| 128990-01600 | 3    | 2       |
| 128990-01750 | 3    | 9       |
| 128990-07560 | 5    | 6       |
| 128990-07910 | 6    | 1 -1    |

| PARTS No.    | Fig. | Ref.No. |
|--------------|------|---------|
| 128990-08100 | 4    | 1       |
| 128990-08110 | 4    | 2       |
| 128990-12210 | 7    | 1       |
| 128990-12500 | 7    | 2       |
| 128990-21590 | 10   | 8       |
| 128990-21650 | 10   | 12      |
| 128990-34850 | 11   | 1       |
| 128990-34860 | 11   | 2       |
| 128990-35080 | 12   | 4       |
| 128990-42150 | 13   | 5       |
| 128990-42151 | 13   | 5 -1    |
| 128990-42160 | 13   | 23      |
| 128990-42170 | 13   | 24      |
| 128990-42180 | 13   | 25      |
| 128990-42200 | 13   | 22 -1   |
| 128990-42260 | 14   | 25      |
| 128990-42500 | 13   | 1       |
| 128990-42510 | 13   | 1 -1    |
| 128990-42520 | 13   | 12      |
| 128990-44070 | 15   | 10      |
| 128990-44080 | 15   | 11      |
| 128990-44090 | 15   | 14      |
| 128990-44100 | 15   | 15      |
| 128990-44110 | 15   | 16      |
| 128990-44120 | 15   | 17      |
| 128990-44130 | 15   | 18      |
| 128990-44400 | 15   | 19      |
| 128990-44900 | 15   | 2       |
| 128990-49010 | 16   | 1       |
| 128990-49020 | 16   | 3       |
| 128990-49030 | 3    | 20      |
| 128990-49040 | 8    | 12      |
| 128990-49050 | 17   | 1       |
| 128990-49060 | 17   | 3       |
| 128990-49070 | 17   | 3 -1    |
| 128990-49110 | 16   | 2       |
|              | 17   | 2       |
| 128990-49150 | 17   | 4       |
| 128990-49320 | 14   | 33      |
|              |      | 37      |
| 128990-49330 | 14   | 34      |
| 128990-49350 | 14   | 38      |
| 128990-49360 | 14   | 39      |
| 128990-49370 | 14   | 40      |
| 128990-49380 | 14   | 41      |
| 128990-49390 | 14   | 42      |
| 128990-49800 | 14   | 18      |
| 128990-51190 | 20   | 45      |
| 128990-51200 | 20   | 18 -1   |
| 128990-51300 | 20   | 45 -1   |

| PARTS No.    | Fig. | Ref.No. |
|--------------|------|---------|
| 128990-51330 | 20   | 48      |
| 128990-55010 | 24   | 1       |
| 128990-55011 | 24   | 1 -1    |
| 128990-55600 | 24   | 3       |
| 128990-59150 | 24   | 11      |
| 128990-59530 | 24   | 12      |
| 128990-61560 | 21   | 96      |
| 128990-67150 | 26   | 1       |
| 128990-77310 | 31   | 9       |
|              | 32   | 24      |
| 128990-77330 | 31   | 10      |
|              | 32   | 25      |
| 128990-77350 | 13   | 26      |
| 128990-77400 | 33   | 8       |
| 128990-77410 | 37   | 4       |
| 128990-77430 | 33   | 6 -1    |
| 128990-77440 | 37   | 1       |
| 128990-77450 | 37   | 5       |
| 128990-77470 | 37   | 6       |
| 128990-77480 | 37   | 7       |
| 128990-77490 | 37   | 13      |
| 128990-77500 | 37   | 12      |
| 128990-77510 | 37   | 2       |
| 128990-77550 | 33   | 9 -1    |
| 128990-77820 | 6    | 59      |
| 128990-77900 | 33   | 1       |
| 128990-77910 | 33   | 10      |
| 128990-77920 | 33   | 1 -1    |
| 128990-81150 | 3    | 21      |
| 128990-86300 | 28   | 1       |
| 128990-86301 | 28   | 1 -1    |
| 128990-86350 | 28   | 7       |
| 129001-32320 | 2    | 10      |
| 129001-32330 | 2    | 11      |
| 129005-59830 | 12   | 8       |
| 129052-61390 | 21   | 12      |
| 129100-01580 | 3    | 1       |
|              | 10   | 2       |
| 129100-35140 | 12   | 1       |
| 129100-51570 | 20   | 72      |
| 129100-61650 | 21   | 59      |
| 129100-61730 | 21   | 129     |
| 129150-11230 | 6    | 31      |
| 129150-11750 | 6    | 33      |
| 129150-25301 | 9    | 15      |
| 129150-59120 | 23   | 4       |
| 129150-59131 | 23   | 7       |
| 129155-51020 | 20   | 5       |
| 129155-51140 | 20   | 13      |
| 129155-51280 | 20   | 43      |

| PARTS No.    | Fig. | Ref.No. |
|--------------|------|---------|
| 129155-51280 | 20   | 44      |
|              | 21   | 6       |
| 129155-51400 | 20   | 58      |
| 129155-51450 | 20   | 61      |
| 129155-51521 | 20   | 67      |
| 129155-51530 | 20   | 68      |
| 129155-51540 | 20   | 69      |
| 129155-51550 | 20   | 70      |
| 129155-51580 | 20   | 74      |
| 129155-51591 | 20   | 75      |
| 129155-51600 | 20   | 23      |
| 129155-51701 | 20   | 76      |
| 129155-52051 | 22   | 2       |
| 129155-61341 | 21   | 77      |
| 129155-61450 | 21   | 21      |
| 129155-61460 | 21   | 78      |
| 129155-61480 | 21   | 23      |
| 129156-51910 | 20   | 81      |
| 129156-61460 | 21   | 22      |
| 129158-52000 | 22   | 1       |
| 129158-52100 | 22   | 3       |
| 129209-61370 | 21   | 11      |
| 129209-61930 | 21   | 130     |
| 129209-61940 | 21   | 134     |
| 129209-61960 | 21   | 136     |
| 129209-61970 | 21   | 131     |
| 129270-44500 | 15   | 23      |
| 129270-92100 | 35   | 1       |
| 129270-92600 | 35   | 2       |
| 129270-92610 | 35   | 5       |
| 129270-92620 | 35   | 6       |
| 129270-92630 | 35   | 7       |
| 129270-92640 | 35   | 8       |
| 129270-92650 | 35   | 3       |
| 129270-92690 | 35   | 4       |
| 129271-77950 | 21   | 132     |
| 129271-91110 | 34   | 1       |
| 129271-91120 | 34   | 2       |
| 129271-91130 | 34   | 3       |
| 129271-91140 | 34   | 4       |
| 129271-91150 | 34   | 5       |
| 129271-91210 | 34   | 6       |
| 129271-91220 | 34   | 7       |
| 129271-91230 | 34   | 8       |
| 129470-59542 | 24   | 17      |
| 129470-67200 | 26   | 2       |
| 129486-07910 | 6    | 1       |
| 129486-61540 | 21   | 49      |
| 129508-11180 | 6    | 19      |
| 129608-77010 | 30   | 1       |

## PARTS No. INDEX

| PARTS No.    | Fig. | Ref.No. |
|--------------|------|---------|
| 129608-77110 | 30   | 4       |
| 129612-42290 | 31   | 8 -1    |
|              | 32   | 23 -1   |
| 129612-77710 | 31   | 3       |
| 129670-44570 | 15   | 25      |
| 129673-44110 | 15   | 7       |
| 129673-44150 | 15   | 9       |
| 129698-77020 | 30   | 2       |
| 129698-77101 | 30   | 3       |
| 129698-77120 | 30   | 5       |
| 129698-77130 | 30   | 7       |
| 129698-77140 | 30   | 6       |
| 129698-77150 | 30   | 8       |
| 129698-77161 | 30   | 9       |
| 129698-77170 | 30   | 10      |
| 129698-77180 | 30   | 17      |
| 129698-77190 | 30   | 18      |
| 129698-77200 | 30   | 19      |
| 129698-77210 | 30   | 20      |
| 129698-77220 | 30   | 21      |
| 129698-77230 | 30   | 22      |
| 129698-77240 | 30   | 15      |
| 129698-77250 | 30   | 16      |
| 129698-77260 | 30   | 11      |
| 129698-77270 | 30   | 13      |
| 129698-77280 | 30   | 14      |
| 129900-32130 | 2    | 9       |
| 129901-11450 | 6    | 3       |
| 129901-59560 | 23   | 28      |
|              | 36   | 14      |
| 129916-49740 | 14   | 12      |
| 138603-59380 | 25   | 4       |
| 158552-61700 | 21   | 60      |
| 158552-61710 | 21   | 64      |
| 158552-61900 | 21   | 81 -1   |
| 158600-51170 | 20   | 15      |
| 158600-51270 | 20   | 42      |
| 158600-51340 | 20   | 50      |
| 158600-51410 | 20   | 59      |
| 158600-51420 | 20   | 60      |
| 158600-51440 | 20   | 50 -1   |
| 158600-51441 | 20   | 50 -2   |
| 158600-51442 | 20   | 50 -3   |
| 158600-51570 | 20   | 73      |
| 158600-51790 | 20   | 80      |
| 158601-61760 | 21   | 88      |
| 174307-51700 | 21   | 30      |
| 177070-03501 | 10   | 42      |
| 177074-06350 | 33   | 17      |
| 194250-51660 | 17   | 5       |

| PARTS No.    | Fig. | Ref.No. |
|--------------|------|---------|
| 196630-12980 | 5    | 5       |
| 41710-000380 | 26   | 13      |
| 41710-000410 | 26   | 10      |
|              | 28   | 6       |
| 41730-000681 | 26   | 11      |
| 43662-015020 | 16   | 9       |
| 43666-020951 | 16   | 10      |
| 45414-500260 | 29   | 11      |
| 46150-503100 | 14   | 24      |
| 48110-025063 | 29   | 6       |
| 48110-028063 | 29   | 7       |
| 48110-032411 | 29   | 4       |
| 48110-032502 | 29   | 8       |
| 48110-522361 | 29   | 5       |
| 719717-01560 | 1    | 1       |
| 719717-02900 | 1    | 24      |
| 719717-02910 | 1    | 35      |
| 728990-51350 | 20   | 1       |
| 728990-92600 | 36   | 1       |
| 83213-003012 | 25   | 7       |
| 977780-01200 | 19   | 1       |
| 977780-01210 | 18   | 1       |
| 977780-01230 | 18   | 2       |
|              | 19   | 2       |
| 977780-01240 | 19   | 3       |
| 977780-01250 | 18   | 3       |
| 977780-03000 | 18   | 9       |
|              | 19   | 9       |
| X00141916    | 13   | 11      |
| X00183200    | 13   | 14      |
| X00190050    | 13   | 13      |
| X00353309    | 13   | 10      |
| X00370012    | 13   | 20      |
| X00371732    | 13   | 21      |
| X0044021509  | 18   | 7       |
|              | 19   | 7       |
| X0142398     | 13   | 3       |
| X0145050     | 13   | 4       |
| X0146541     | 13   | 6       |
| X0146542     | 13   | 8       |
| X014678901   | 13   | 9       |
| X02173432    | 13   | 15      |
| X02173476    | 13   | 16      |
| X02233010    | 13   | 19      |
| X03431748    | 13   | 18      |
| X03431760    | 13   | 17      |
| X179100011X  | 19   | 5       |
| X179100021X  | 18   | 5       |
| X179100100X  | 18   | 6       |
|              | 19   | 6       |

| PARTS No.   | Fig. | Ref.No. |
|-------------|------|---------|
| X199903800X | 18   | 8       |
|             | 19   | 8       |
| X2114535200 | 30   | 12      |
| X6303BM0000 | 32   | 18      |
| X8636008003 | 18   | 4       |
|             | 19   | 4       |
| XL150M14041 | 32   | 17      |
| XL155G1330  | 32   | 8       |
| XL180120000 | 32   | 4       |
| XL1808320   | 32   | 13      |
| XL180G13012 | 32   | 6       |
| XL180G43150 | 32   | 7       |
| XL180G61000 | 32   | 2       |
| XL180G63006 | 32   | 5       |
| XL180G85001 | 32   | 22      |
| XL225431800 | 32   | 11      |
| XL225G1325  | 32   | 9       |
| XL235340110 | 32   | 16      |

| PARTS No. | Fig. | Ref.No. |
|-----------|------|---------|
|-----------|------|---------|



***YANMAR CO.,LTD.***